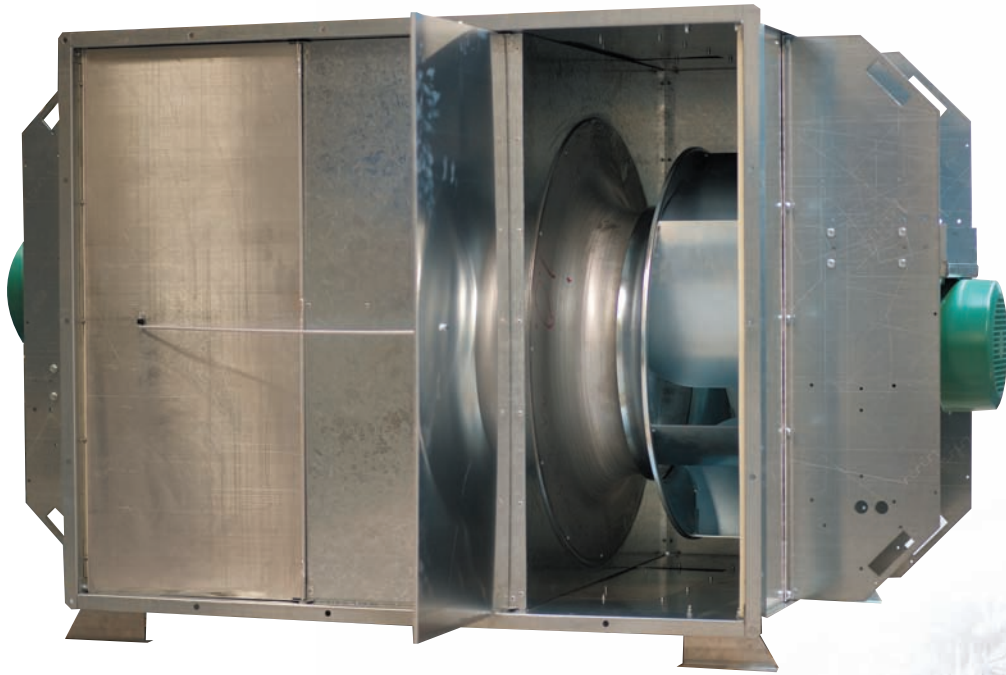


TWIN SQUIF FANS

RUN & STANDBY SOLUTION FOR ALL 'MOTOR OUT OF AIRSTREAM' APPLICATIONS.



BENEFITS

QUIET AND POWERFUL SOLUTIONS

High performance centrifugal motor/impeller combination providing a low noise solution. The units shall be suitable for operation in airstream temperatures up to 90°C.

CLEANER

'Out of air stream' motors are ideal for dirty extract and greasy environments. Cleaner motor improves cooling and extends motor life.

EASY MAINTENANCE

'Out of air stream' motors allow for quick and easy access. Inspection hatches allow the internal parts to be easily checked and cleaned.

IDEAL FOR HIGH RESISTANCES

High efficiency centrifugal impellers provide high pressure development suitable for ducted systems and kitchen canopy with extreme filtration.

PREVENTS INTERNAL RECIRCULATION

Backdraft dampers inbuilt.

FLEXIBLE SOLUTION

Can be mounted internally, externally, vertically or horizontally. Mounting facilities included.

FAILURE DETECTION

Inverter detects fan failure and Ecosmart control sends signal to 2nd fan.

CONTROLABILITY AS STANDARD

All 3 phase units have the flexibility to be speed controlled utilising Nuaire Ecosmart controls or frequency inverters.

ECOSMART AUTO CHANGE OVER AND DUTY SHARE

Ecosmart models have auto change over in the event of fan/motor failure along with integral duty share.

FAN TO SUIT ALL APPLICATIONS

2-speed motors available for day-to-day extract.

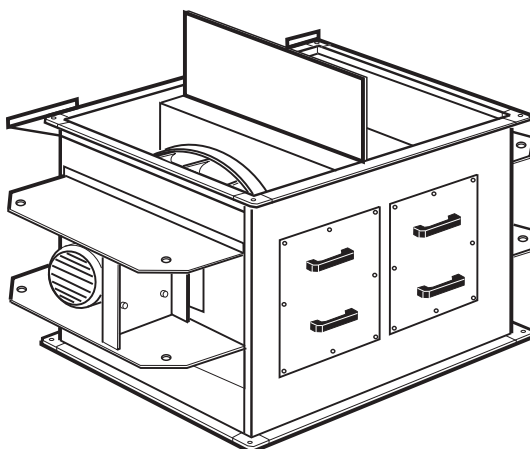
WARRANTY

Twin Squif has a 3 year warranty. Ecosmart Twin Squif (ES) has a 5 year warranty.

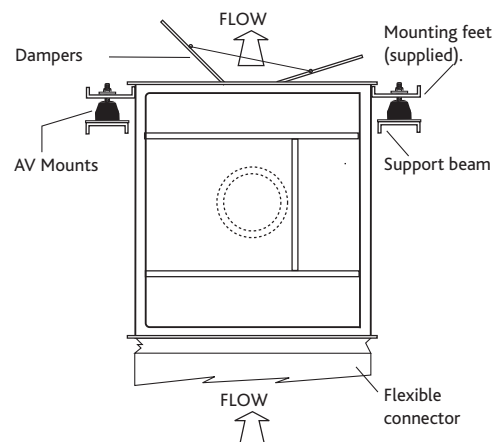
Note: Please contact Nuaire for high temperature enquiries.

Note: For information on Gas Interlock please refer to Single Fan section.

TYPICAL INSTALLATIONS



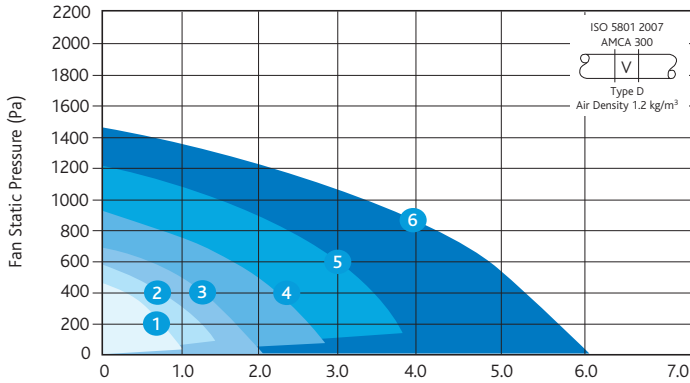
AV mounts fitted to unit mounting feet (supplied) in horizontal discharge mode.



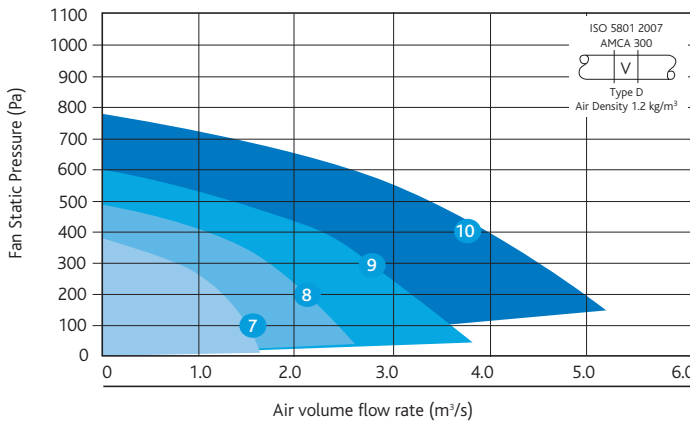
Unit in vertical discharge mode, mounted on support beam using AV mounts.

PERFORMANCE - TWIN SQUIF FANS

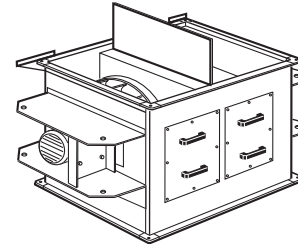
Twin Squif - 4 pole



Twin Squif - 6 pole



Casing



Code descriptions

TSQF 4 1 - 3 ES



1. Twin Squif Range
2. Pole (4 or 6)
3. Curve No.
4. Phase (1 or 3)
5. Ecosmart control

Note: curves include loss through idling fan.

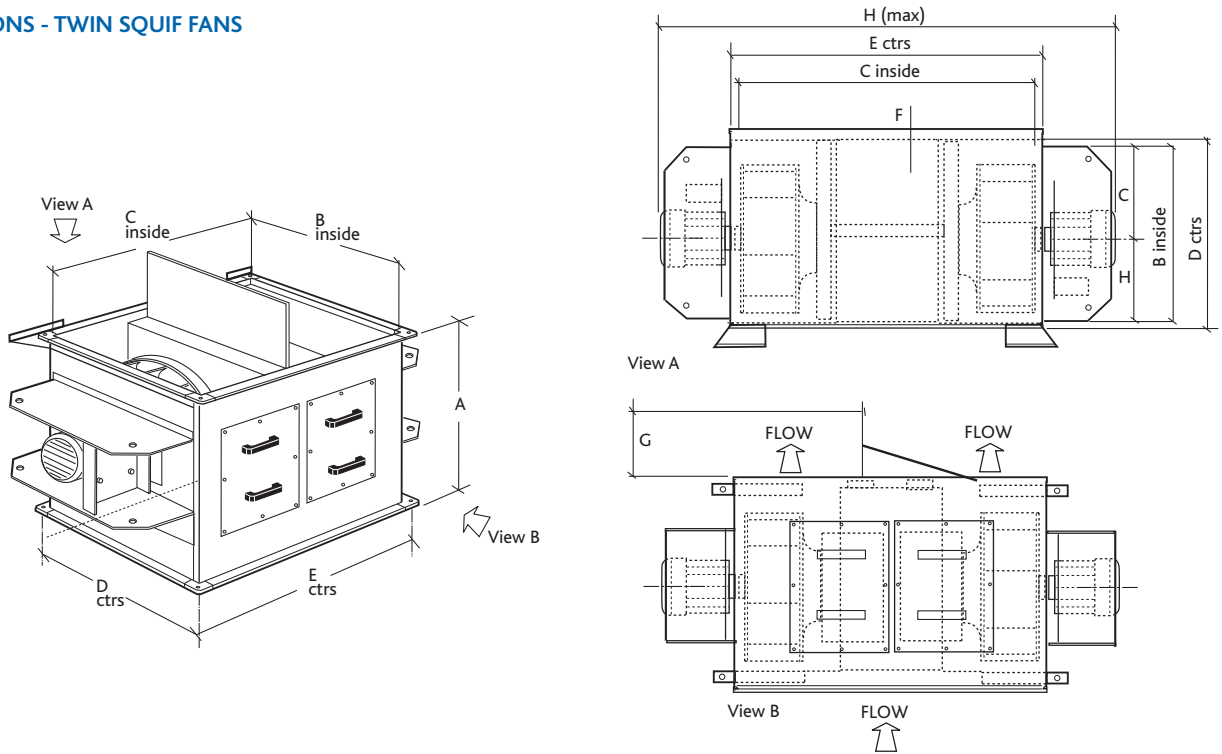
PERFORMANCE - TWIN SQUIF EXTRACT FANS

ELECTRICAL & SOUND

Curve	Code	Phase	RPM	Motor			Data Type	Induct inlet Sound Power levels dB re 1pW								Breakout dBA@ 3m
				Power (kW)	FLC (amps)	SC (amps)		63	125	250	500	1K	2K	4K	8K	
1	SQFTA41-1	1	1410	0.37	2.8	11.2	I	90	93	79	70	70	70	69	62	52
							O	87	94	74	68	74	75	70	64	
1	SQFTA41-3	3	1450	0.37	1.06	5.2	I	90	93	79	70	70	70	69	62	52
							O	87	94	74	68	74	75	70	64	
2	SQFTA42-1	1	1370	0.75	5.4	21	I	88	95	82	77	74	76	75	67	55
							O	85	96	78	74	78	80	77	69	
2	SQFTA42-3	3	1450	0.75	2.01	9.04	I	88	95	82	77	74	76	75	67	55
							O	85	96	78	74	78	80	77	69	
3	SQFTA43-1	1	1420	1.1	7	35	I	92	98	83	79	77	78	78	71	58
							O	89	99	79	77	82	83	79	73	
3	SQFTA43-3	3	1450	1.1	2.5	12	I	92	98	83	79	77	78	78	71	58
							O	89	99	79	77	82	83	79	73	
4	SQFTA44	3	1450	2.2	4.8	28.8	I	86	96	89	82	77	80	80	71	58
							O	87	90	86	87	81	82	82	68	
5	SQFTA45	3	1450	4	9	59	I	92	102	87	85	85	84	83	81	63
							O	90	103	83	82	89	89	84	83	
6	SQFTA46	3	1450	7.5	15.2	108	I	92	106	92	86	86	85	86	83	64
							O	95	95	90	91	89	87	87	81	
7	SQFTA61	3	960	0.75	2.1	8.82	I	84	92	84	75	70	73	73	64	48
							O	85	86	81	80	74	75	75	61	
8	SQFTA62	3	960	1.1	3	13.2	I	90	99	83	78	76	75	74	72	58
							O	87	100	78	76	80	79	75	74	
9	SQFTA63	3	960	2.2	5.9	28.9	I	90	103	87	79	76	76	77	73	61
							O	87	104	82	77	80	80	78	75	
10	SQFTA64	3	960	4	9.4	61.2	I	91	106	91	82	79	77	77	74	64
							O	88	107	86	80	83	82	78	76	

Breakout dBA@3m is hemispherical free field. The electrical and sound information in the table are nominal figures.

DIMENSIONS - TWIN SQUIF FANS

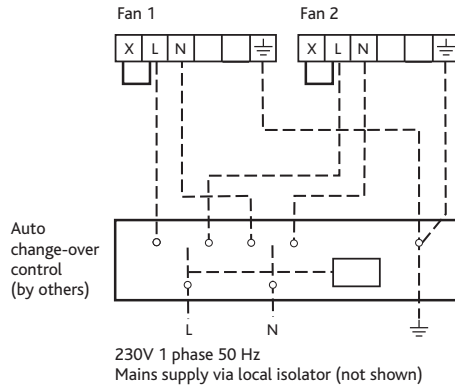


DIMENSIONS (mm) & WEIGHT

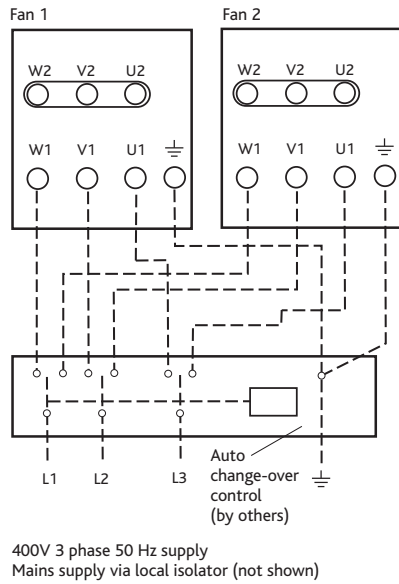
Unit Size	A	B	C	D	E	F	G	H	Motor (kW)	Total Fan Weight (Kg)	AV selection	Mounting Orientation
SQFTA41-3	634	500	710	529	741	26.5	223.5	1110	0.37	52	NAV2	Horizontal discharge or vertically up discharge.
SQFTA41-1	634	500	710	529	741	26.5	223.5	1110	0.37	52	NAV2	
SQFTA41-3ES	634	500	710	529	741	26.5	223.5	1110	0.37	80	NAV2	
SQFTA42-3	692	700	780	730	811	32	248	1220	0.75	77	NAV2	
SQFTA42-1	692	700	780	730	811	32	248	1220	0.75	77	NAV2	
SQFTA42-3ES	692	700	780	730	811	32	248	1220	0.75	77	NAV3	
SQFTA43-3	750	750	882	780	913	32	278	1382	11	102	NAV5	
SQFTA43-1	750	750	882	780	913	32	278	1382	11	102	NAV5	
SQFTA43-3ES	750	750	882	780	913	32	278	1382	11	102	NAV5	
SQFTA44	820	800	970	830	1001	32	303	1550	2.2	100	NAV5	
SQFTA61	820	800	970	830	1001	32	303	1550	0.75	111	NAV5	
SQFTA44ES	820	800	970	830	1001	32	303	1550	2.2	100	NAV5	
SQFTA61ES	820	800	970	830	1001	32	303	1550	0.75	111	NAV5	
SQFTA45	901	900	1075	930	1106.5	32	333	1655	4.0	150	NAV3	Horizontal discharge only.
SQFTA62	901	900	1075	930	1106.5	32	333	1655	1.1	141	NAV3	
SQFTA45ES	901	900	1075	930	1106.5	32	333	1655	4.0	150	NAV3	
SQFTA62ES	901	900	1075	930	1106.5	32	333	2070	1.1	141	NAV3	
SQFTA46	994	1000	1230	1030	1261	32	383	2070	7.5	315	NAV6	
SQFTA63	994	1000	1230	1030	1261	32	383	2070	2.2	180	NAV3	
SQFTA46ES	994	1000	1230	1030	1261	32	383	2070	7.5	315	NAV6	
SQFTA63ES	994	1000	1230	1030	1261	32	383	2070	2.2	180	NAV3	
SQFTA64	1114	1100	1380	1130	1411	32	433	2220	4.0	580	NAV52	
SQFTA64ES	1114	1100	1380	1130	1411	32	433	2220	4.0	580	NAV52	

WIRING - TWIN SQUIF FANS

Single Phase Fans - Constant Speed



Three phase fans Single speed -
motors up to 3kW inclusive



Single speed -
motors 4kW or above

