



60Hz VENTILATION SOLUTIONS



NUAIRE. FOR THE COMPLETE VENTILATION SOLUTION





WITH A RECORD OF QUALITY WHICH IS THE ENVY OF THE INDUSTRY...

...Nuaire is a British company with a long history of innovation in a field of ventilation and air movement solutions, and its products are known across the world for their superb quality and efficiency.

Founded in 1966, Nuaire has a long and much-admired heritage in developing and manufacturing ventilation products. The company's products are renowned worldwide, likewise their unrivalled customer service, and it is this combination which has ensured that Nuaire's products have been sold into more than 60 countries around the world, including in the Middle East, Europe, the USA and Asia.





PLATE FAN - EZ PLATE

Wall mounted plate fan with a single component spun mounting plate, with optional backdraught shutter kit- contact Nuaire for details.



CODING EZPLATE315-41H

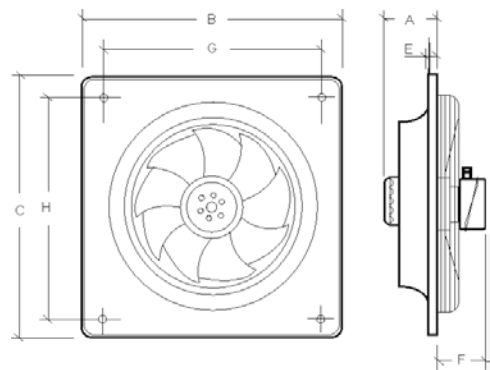
EZPLATE 315 4 1 H
 | | | | |
 1 2 3 4 5

SAMPLE CODING

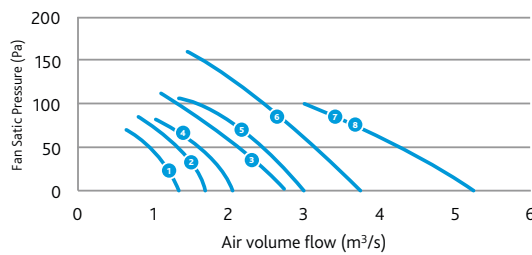
1. EZPLATE - EZplate fan range
2. 315 - Fan size
3. 4 - Pole
4. 1 - Electrical phase
5. H - 220v

DIMENSIONS (MM)

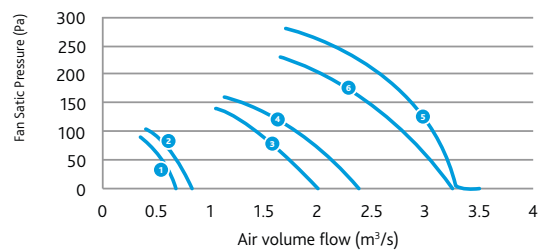
MODEL	A	B	C	E	F	G	H
EZP-315-1	73	430	430	11	60	380	380
EZP-350-1	80	485	485	12	60	435	435
EZP-400-1	98	540	540	12	60	490	490
EZP-450-1	100	575	575	14	60	535	535
EZP-500-1	120	655	655	16	61	615	615
EZP-560-1	136	725	725	16	46	675	675
EZP-630-1	130	805	805	16	44	750	750
EZP-630-2	130	805	805	20	66	750	750
EZP-710-1	170	850	850	20	20	810	810
EZP-800-1	210	970	970	20	17	910	910



6 & 8 POLE WITHOUT WALL KIT



4 POLE WITHOUT WALL KIT



CONSULTANTS SPECIFICATION



CASING

Manufactured from steel and finished with black polyester powder coat. Fan incorporates inlet side finger guard to BS 848 Part 5.



IMPELLER

Advanced sickle blade design manufactured from composite material.



ANCILLARIES

- Outlet shutter
- Inlet finger guard
- Inverter speed control wall fixing kit
- Electronic speed controls
- Transformer speed control



MOTOR

Class F insulated motor with 'Heatseeker' thermal protection. Motor to IP54 windings vacuum impregnated giving enhanced protection.



INSTALLATION

Units are fitted with an integral terminal box and motor side guard (Sizes up to 710mm).



APPLICATIONS

- Boiler rooms
- Factories & warehouses
- Leisure & sports facilities
- Industrial
- Hospitals
- Hotels
- Commercial kitchens



CERTIFICATION AND OPERATING TEMPERATURE

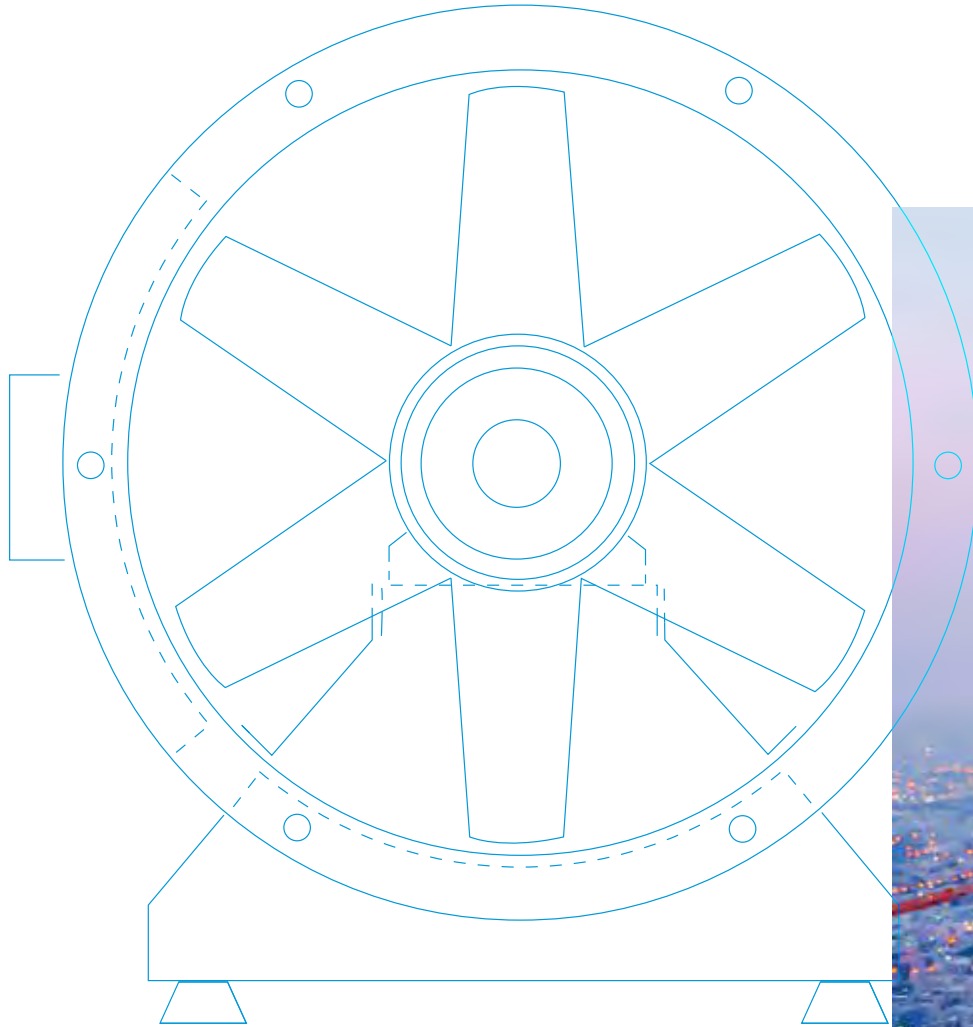
Ambient temperatures up to a range of 55°C - 70°C dependent on the unit size. Contact Nuairé for details.

220V

CODE	PHASE	RPM SPEED	MOTOR CURRENTS		SOUND POWER LEVELS RE 1 PWATT (Hz) INDUCT INLET								dB(A) @3M
			FLC	SC (DOL)	63	125	250	500	1K	2K	4K	8K	
EZPLATE315-41H	1	1420	0.72	1.8	52	67	61	60	59	60	55	47	44
EZPLATE350-41H	1	1520	1	2.5	56	71	67	66	65	64	60	53	49
EZPLATE500-61H	1	900	1.75	4.4	66	70	72	67	67	69	65	56	53
EZPLATE450-41H	1	1430	3.5	8.75	59	78	74	74	70	69	65	57	55
EZPLATE450-61H	1	920	1.1	2.75	50	69	65	65	61	60	56	48	46
EZPLATE500-41H	1	1260	4.4	11	65	77	76	74	74	75	73	65	59
EZPLATE560-41H	1	1630	8	20	68	81	76	75	75	75	72	66	60
EZPLATE560-61H	1	980	2.6	6.5	67	70	72	67	68	68	65	57	53
EZPLATE630-61H	1	830	3.8	9.5	65	74	78	74	71	73	71	61	58

460V

EZPLATE560-43G	3	1420	2.7	6.75	68	81	76	75	75	75	72	66	60
EZPLATE560-43G	3	1420	2.7	6.75	68	81	76	75	75	75	72	66	60
EZPLATE560-63G	3	980	0.88	2.2	67	70	72	67	68	68	65	57	53
EZPLATE560-63G	3	980	0.88	2.2	67	70	72	67	68	68	65	57	53
EZPLATE630-63G	3	1040	1.55	3.9	65	74	78	74	71	73	71	61	58
EZPLATE630-63G	3	1040	1.55	3.9	65	74	78	74	71	73	71	61	58
EZPLATE800-83G	3	780	3.8	9.5	74	82	80	78	78	77	72	63	62



NUAIRE. FOR THE COMPLETE VENTILATION SOLUTION

T +44(0)29 2085 8484 E INTERNATIONAL@NUAIRE.CO.UK W NUAIRE.CO.UK [@NUAIREGROUP](https://twitter.com/NUAIREGROUP)

