



CARBON-FILTERKIT-S CARBON-FILTERKIT-D



Carbon Filter Replacement and Foam Kit Installation Manual

1.0 SAFETY INFORMATION

- The carbon filter block is supported by a retaining clamp, loosening the clamp will result in the filter being freed. Be prepared to support the whole weight of the carbon filter block.
- Carbon filters / pellets are not to be ingested

1.1 Hazard Symbols



REFER TO INSTRUCTION MANUAL

Read and understand the installation and maintenance manual before installing, operating or maintaining this product.

2.0 Introduction

2.1 Code Description

1	-	2
CARBON-FILTERKIT	-	D

1. Filter Type Replacement Carbon Filter
2. Unit Width
S = Single
D = Double

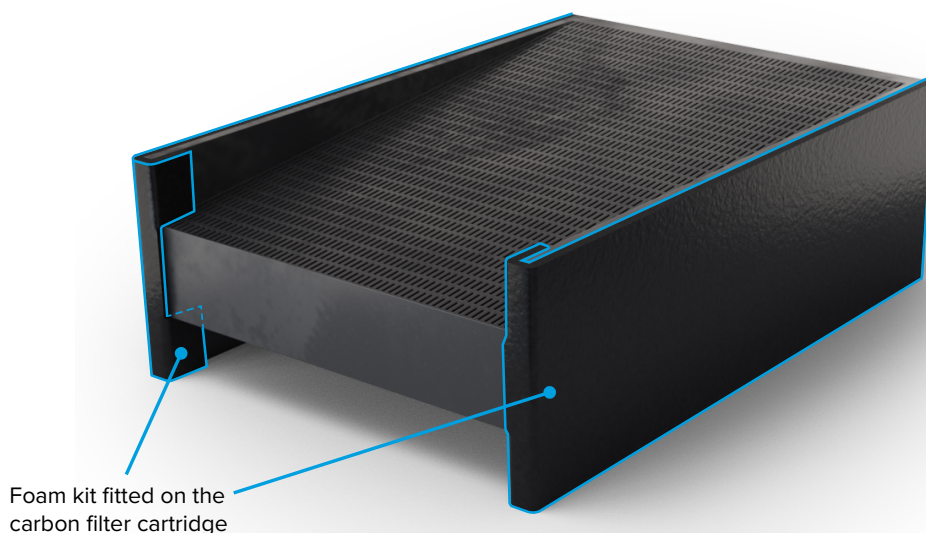
2.2 Filter Cartridge Details

Unit Code	Carbon Filter Lifespan	Cartridge Weight
CARBON-FILTERKIT-S	2 years	6kg
CARBON-FILTERKIT-D	4 years	12kg

3.0 INSTALLATION

Upon removal of your carbon filter from the unit, please check if the cartridge being replaced is fitted with a foam kit along the front edge and down its side. See below for an example:

1 Check for existing foam kit



My old filter is already fitted with a foam kit:



You will need to install the foam kit provided with the kit following the instructions in Section 3.1

My old filter was not fitted with a foam kit:



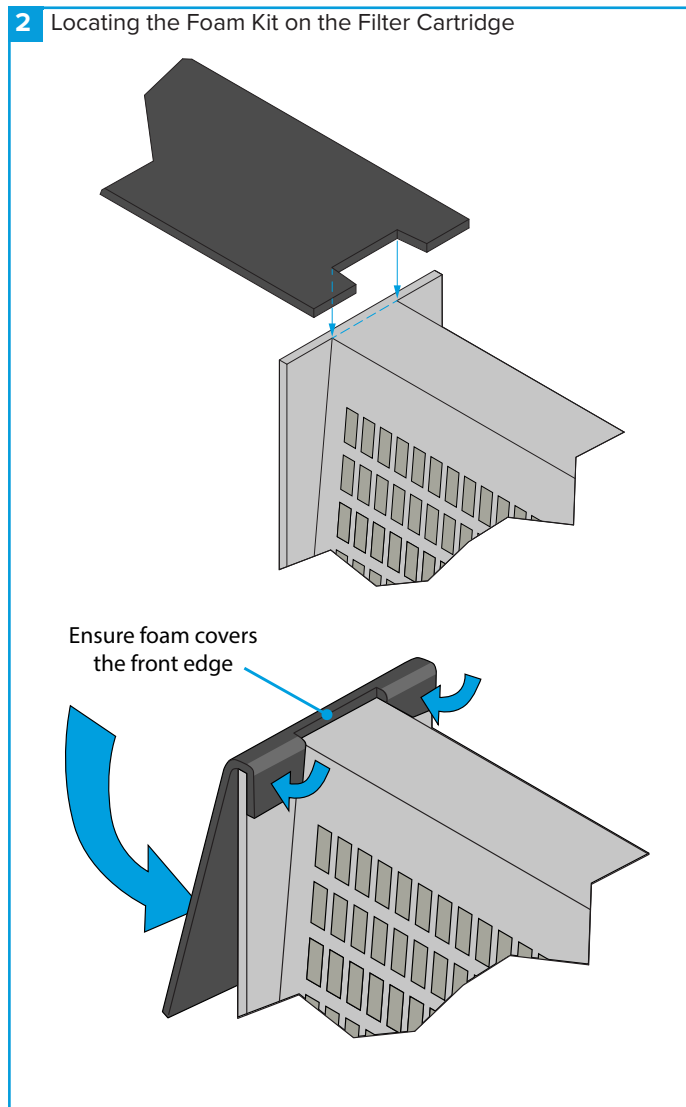
You can fit the carbon filter cartridge as provided, following the instructions below in Section 3.2. Check with your local authority if the foam kit can be recycled.

3.1 Fitting the Foam Kit

NOTE: Fitting the foam kit is only required if the filter being replaced already has a foam kit fitted (see Section 3.0)

1. Remove the backing paper from the underside of the foam
2. Align the notched edge of the foam with the adhesive side facing down to the inner edge of the filter (Figure 2). Press down along its edge to secure.
3. Neatly wrap the foam around the front and back edges. Firmly pressing the foam down against the filter (Figure 2).
4. Once attached repeat procedure on the opposite side of the cartridge.

2 Locating the Foam Kit on the Filter Cartridge



3.2 Installing the Filter Cartridges

IMPORTANT

The carbon filter block is supported by a retaining clamp, loosening the clamp will result in the filter being freed. Be prepared to support the whole weight of the carbon filter.

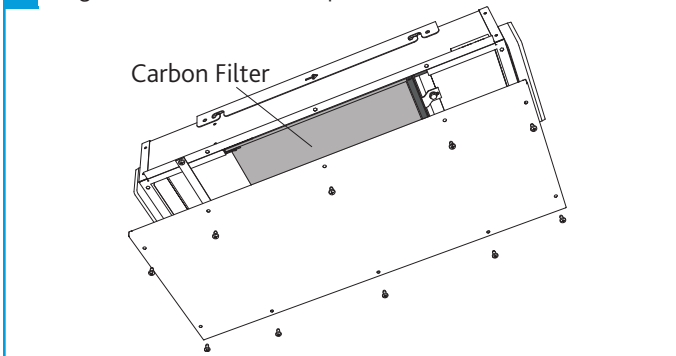
IMPORTANT

Appropriate PPE (Personal Protective Equipment) should be worn during maintenance. Precautions may also be needed to protect the surrounding area from excess carbon residue.

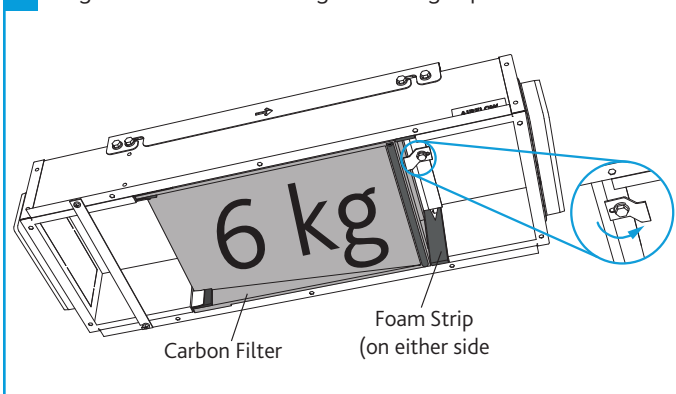
3.2.1 Replacing Single Carbon Filter - IAQBOX-S

1. Unscrew the fixings securing the lid in place and remove lid from unit (Figure 3).
2. Whilst supporting the back of the carbon filter block, loosen the retaining clamp bolt and rotate the clamp in order to release the block (Figure 4).
3. Pulling firmly on the rear edge of the carbon filter block will lever the filter to approximately a 45° angle (A). At this position it can be removed from the unit (B) (Figure 5).
4. Replace the carbon filter in the reverse operation to the above process. Ensure the filter is fitted in the same orientation as before. Firmly push the filter back into position to compress the rubber seal. Rotate the clamps back and tighten clamp bolt prior to removing support from the replacement carbon filter block.
5. If the foam strips behind the carbon filter (Figure 4) sustain any damage during the removal or installation. Remove and replace foam strips with new foam supplied with replacement filter.
6. Refit the unit lid.
7. Wash hands thoroughly after handling.

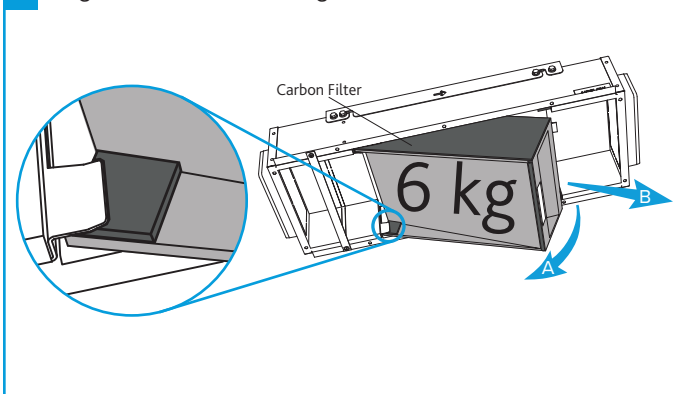
3 Single carbon filter access panel removal



4 Single carbon filter cartridge retaining clip



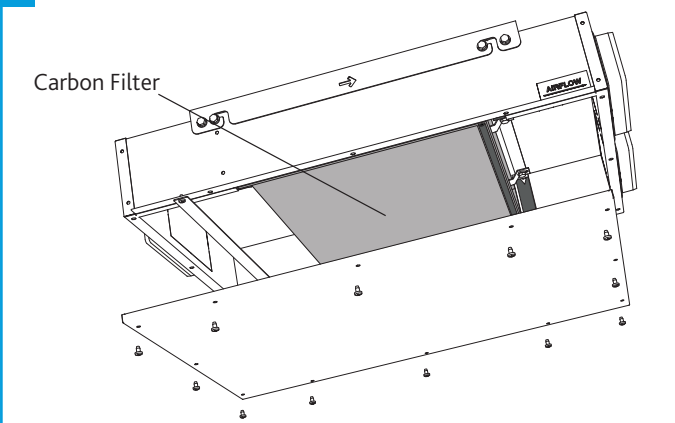
5 Single carbon filter cartridge removal



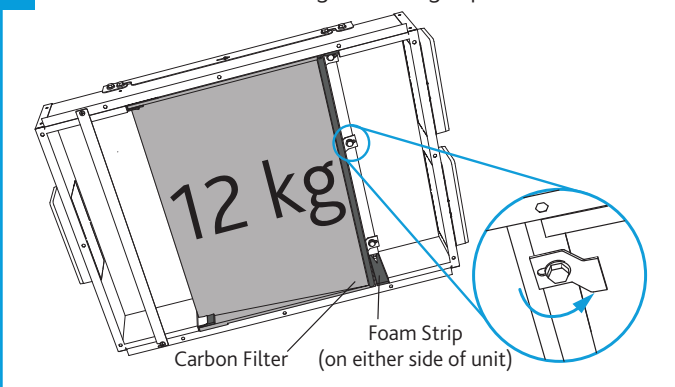
3.2.2 Replacing Double Carbon Filter - IAQBOX-D

1. Unscrew the fixings securing the lid in place and remove lid from unit (Figure 6).
2. Whilst supporting the back of the carbon filter block, loosen the retaining clamp bolt and rotate the clamp in order to release the block (Figure 7).
3. Pulling firmly on the rear edge of the carbon filter block will lever the filter to approximately a 45° angle (A). At this position it can be removed from the unit (B) (Figure 8).
4. Replace the carbon filter in the reverse operation to the above process. Ensure the filter is fitted in the same orientation as before. Firmly push the filter back into position to compress the rubber seal. Rotate the clamps back and tighten clamp bolt prior to removing support from the replacement carbon filter block.
5. If the foam strips behind the carbon filter (Figure 7) sustain any damage during the removal or installation. Remove and replace foam strips with new foam supplied with replacement filter.
6. Refit the unit lid.
7. Wash hands thoroughly after handling.

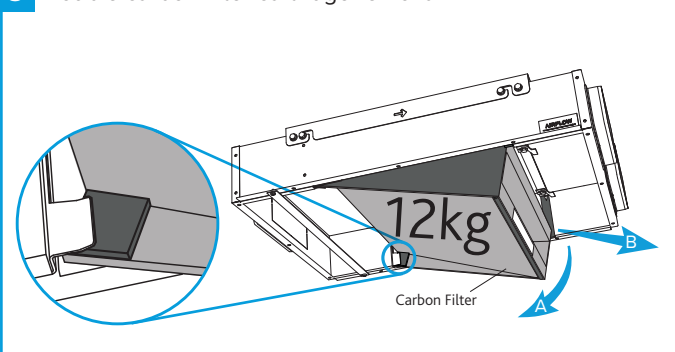
6 Double carbon filter access panel removal



7 Double carbon filter cartridge retaining clip



8 Double carbon filter cartridge removal



IMPORTANT

Carbon filters / pellets are not to be ingested

4.0 WARRANTY

The 5 year warranty starts from the day of delivery and includes parts and labour for the first year. The remaining period covers parts only, filter replacement is not covered by the unit warranty.

This warranty is void if the equipment is modified without authorisation, is incorrectly applied, misused, disassembled, or not installed, commissioned and maintained in accordance with the details contained in this manual and general good practice.

For technical assistance or further product information, including spare parts and replacement components, please contact the After Sales Department.

5.0 END-OF-LIFE AND RECYCLING

Ensure that Nuairé product is made safe from any electrical / water / refrigerant supplies before dismantling commences. This work should only be undertaken by a qualified person in accordance with local authority regulations and guidelines, taking into account all site based risks.

Where possible Nuairé use components which can be largely recycled when the product reaches its end-of-life:

- Fans, motors, controls, actuators, cabling and other electrical components can be segregated into WEEE recycling streams.
- Sheet metal parts and other metallic items can be segregated and fully recycled.
- Cardboard packaging, wood, used filters and other paper components can be largely recycled or fully processed in energy from waste centres.
- Remaining items can be further segregated for energy from waste centres or, as a last resort, sent to landfill. Please call After Sales Support for further information on items not listed above. Ensure that Nuairé product is made safe from any electrical supplies before dismantling commences. This work should only be undertaken by a qualified person in accordance with local authority regulations and guidelines, taking into account all site based risks.

6.0 AFTER SALES AND REPLACEMENT PARTS

For technical assistance or further product information, including spare parts and replacement components, please contact the After Sales Department.

If ordering spares please quote the serial number of the unit together with the part number, if the part number is not known please give a full description of the part required. The serial number will be found on the identification plate attached to the unit casing.

Repair and replacement of the defined critical components shall only be carried out by a Nuair authorized representative. These fans are certified by a notified body, the substitution of a critical component with an alternative version of this component, must be approved by the notified body.

Telephone 02920 858 400
aftersales@nuaire.co.uk

Technical or commercial considerations may, from time to time, make it necessary to alter the design, performance and dimensions of equipment and the right is reserved to make such changes without prior notice.

