

1.0 SAFETY INFORMATION

1.1 Important Information

This manual contains important information on the safe and appropriate assembly, transport, commissioning, operation, maintenance, disassembly and simple troubleshooting of the product.

While the product has been manufactured according to the accepted rules of current technology, there is still a danger of personal injury or damage to equipment if the following general safety instructions and the warnings contained in these instructions are not complied with.

- **Read these instructions completely and thoroughly before working with the product.**
- **Keep these instructions in a location where they are accessible to all users at all times.**
- **Always include the operating instructions when you pass the product on to third parties.**

1.2 Personal Protective Equipment

The following minimum Personal Protective Equipment (PPE) is recommended when interacting with Nuaire product:

- **Protective Steel Toed Shoes** - when handling heavy objects.
- **Full Finger Gloves (Marigold PU800 or equivalent)** - when handling sheet metal components.

Nuaire would always recommend a site specific risk assessment by a competent person to determine if any additional PPE is required.

2.0 INTRODUCTION

The ECO2-AE-1Z-STND is designed to provide an adjustable floor mounted installation solution for MRXBOXAB-ECO2-(AE/1Z) units.

3.0 INSTALLATION

Installation must be carried out by competent personnel in accordance with the appropriate authority and conforming to all statutory governing regulations.

The fan must be installed indoors, on a solid floor away from direct sources of frost, heat and water spray or moisture generation.

Please refer to the installation instructions provided with the MVHR unit for specific installation requirements and clearance for maintenance.

Care must be taken to ensure the unit is installed true in all 3 dimensions. Failure to do so may result in overflow from the internal condensation drip tray.

3.1 Mechanical Installation

Fit one adjustable foot and locking nut to the two M8 threaded inserts found in each side frame (Figure 1). The side frames can then be fitted to the base of the MVHR unit using the outer M8 fixings provided with the unit (Figure 2).

Ensure the inner M8 fixings in the base are not loosened as these secure the internal unit to the outer enclosure.

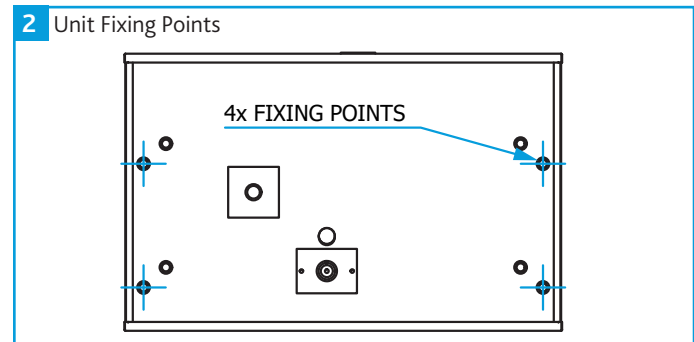
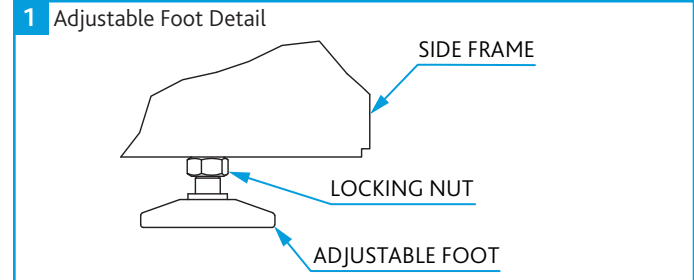
To complete the installation the cover plate is to be fitted to the side frames using the four M5 fixings provided.

To ensure the installation is level, adjust the height of the threaded feet within the allowable limits (Figure 3) and secure in place using each locking nut.

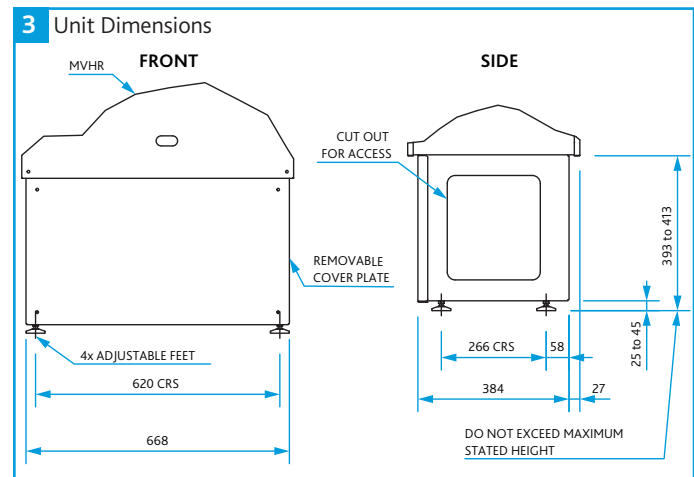
The electrical and plumbing connections may need to be completed with the cover plate removed.

The cover plate must be fitted; until the cover plate is fitted the installation may be less rigid.

After fitting the ducting, if the completed installation is not considered stable and there is potential to be toppled, the frame should be restrained using a suitable method (supplied by others) to prevent this. There are additional fixing points in the underside and rear of the frame that can be utilised.



3.2 Dimensions



4.0 END-OF-LIFE AND RECYCLING

Where possible Nuaire use components which can be largely recycled when the product reaches its end-of-life:

- Sheet metal parts, aluminium extrusion, heating/cooling coils and other metallic items can be segregated and fully recycled.
- Cardboard packaging, wood, used filters and other paper components can be largely recycled or fully processed in energy from waste centres.
- Remaining Items can be further segregated and processed in accordance with the zero waste hierarchy. Please call After Sales Support for further information on items not listed above.

5.0 AFTER SALES AND REPLACEMENT PARTS

For technical assistance or further product information, including spare parts and replacement components, please contact the After Sales Department.

If ordering spares please quote the serial number of the unit together with the part number, if the part number is not known please give a full description of the part required. The serial number will be found on the identification plate attached to the unit casing.

Telephone 02920 858 400
aftersales@nuaire.co.uk

