

ECO4-AE-1Z-STND

Floor mounting assembly for
MRXBOXAB-ECO4-AE and MRXBOXAB-ECO4-1Z

Installation and Maintenance



1.0 INTRODUCTION

The ECO4-AE-1Z-STND is designed to provide an adjustable floor mounted installation solution for MRXBOXAB-ECO4-AE and MRXBOXAB-ECO4-1Z product ranges.

2.0 INSTALLATION

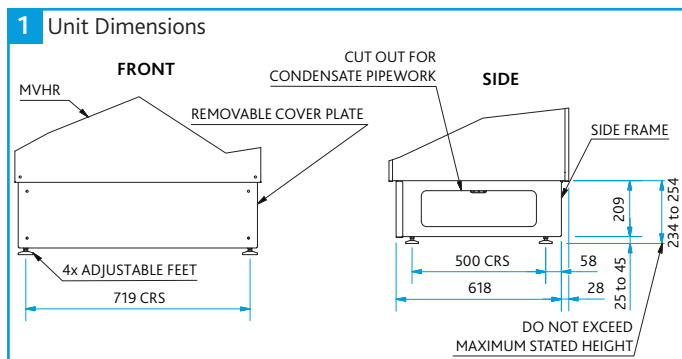
Installation must be carried out by competent personnel in accordance with the appropriate authority and conforming to all statutory governing regulations.

The fan must be installed indoors, on a solid floor away from direct sources of frost, heat and water spray or moisture generation.

Note: Please refer to the installation instructions provided with the MVHR unit for specific installation requirements and clearance for maintenance.

Care must be taken to ensure the unit is installed true in all 3 dimensions. Failure to do so may result in overflow from the internal condensation drip tray.

3.0 DIMENSIONS



4.0 INSTALLATION

Fit one adjustable foot and locking nut to the two M8 threaded inserts found in each side frame (Figure 2). The side frames can then be fitted to the base of the MVHR unit using the M8 fixings provided with the unit (Figure 3).

Note: Ensure the larger M10 fixings in the base are not loosened as these secure the internal unit to the outer enclosure.

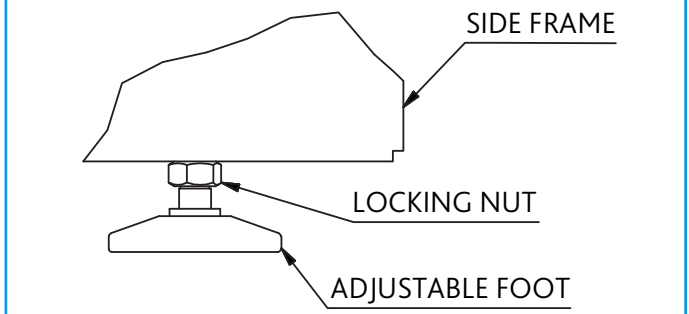
To complete the installation the cover plate is to be fitted to the side frames using the four M5 fixings provided.

To ensure the installation is level, adjust the height of the threaded feet within the allowable limits (Figure 1) and secure in place using each locking nut.

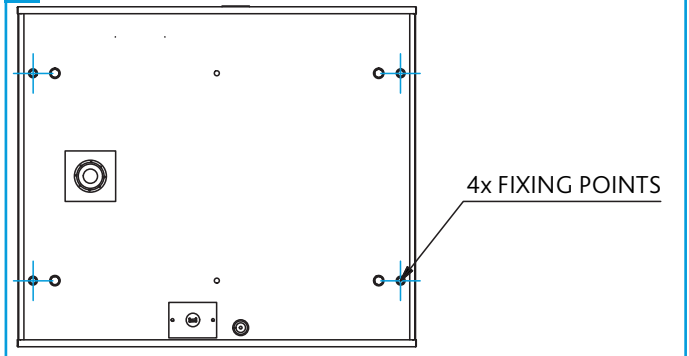
The electrical and plumbing connections may need to be completed with the cover plate removed.

Note: The cover plate must be fitted; until the cover plate is fitted the installation may be less rigid.

2 Adjustable Foot Detail



3 MRXBOXAB-ECO4 Fixing Points



5.0 REPLACEMENT OF PARTS

Should any component need replacing, Nuair keep extensive stocks for quick delivery. When ordering spare parts, quote the serial number of the product and the ARC number of the purchase if possible.

6.0 AFTER SALES

For technical assistance or further product information, including spare parts and replacement components, please contact the After Sales Department.

Telephone 02920 858 400
aftersales@nuaire.co.uk