

FAITH-WKIT

Window Kit for FAITH Units

Installation and Maintenance



1.0 SAFETY INFORMATION

- In case of window installation it is necessary to use the appropriate window kit, which is not included. Glass thickness from 11mm to 35mm.

2.0 WINDOW INSTALLATION (FAITH-WKIT)

In case of window installation it is necessary to use the appropriate window kit, which is not included.

Glass thickness from 11mm to 35mm.

The window kit is designed for mounting the unit into windows 11mm to 35mm thick using a 115mm diameter hole in the glass.

1. Employ a qualified glazier to cut a hole of 115mm diameter in the glass or, alternatively, replace your window with new glass incorporating a pre-cut hole.
2. The outer assembly consists of an external louvre with an 'O' ring seal and screws (4). The internal clamping plate incorporates a moulded spigot which is designed to offset the 125mm diameter hole in the glass.
3. Position the assembly on the outside of the glass, ensuring that the louvres blades are angled downwards towards the outside ground. If only one person is installing the fan it may be helpful to tape the assembly to the outside glass at this stage during installation as all fixings and assembly are completed from inside.
4. Working from inside the room, position the inner clamping plate over the hole in the glass. Ensure the screws are located in the mounting holes in the clamping plate.
5. Using the thumb nuts (4) provided draw the inner and outer assemblies together, remove any tape supporting the outer assembly and continue to draw the units together until the 'O' ring is compressed on the window.
6. Fix the backplate of the FAITH unit to the internal clamping plate via the screws (4) provided with the fan unit. Ensure the screws locate the screw bosses in the internal clamping plate.
7. Wire unit in accordance with the appropriate wiring diagram. A cable clamp is provided inside the case.

IMPORTANT

Do not mount the product on the window without this kit.

Figure 2. Fitting external louvre.

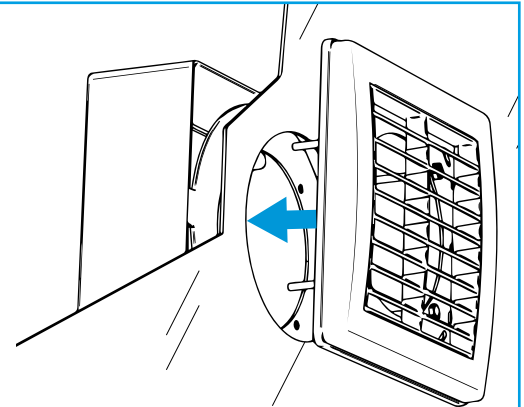


Figure 3. Securing inner and outer assemblies using thumb nuts.

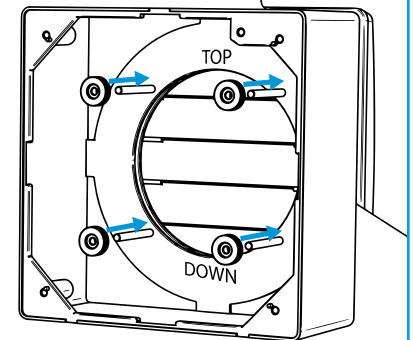


Figure 4. Tightening thumb nuts.

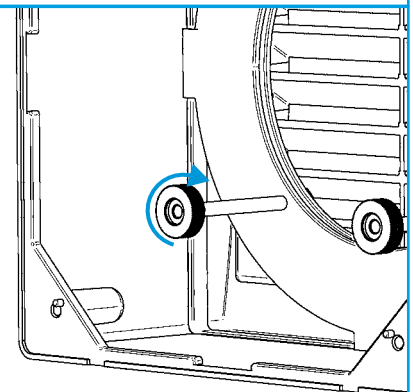


Figure 5. Fixing fan back plate to inner assembly.

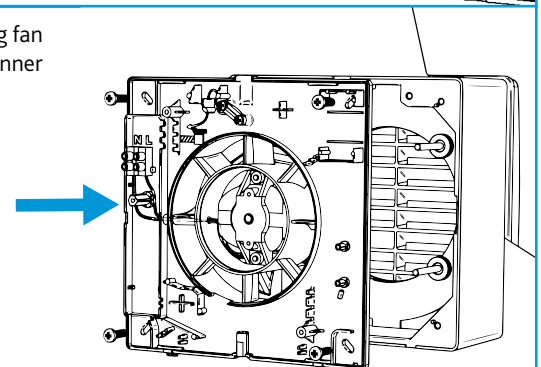


Figure 1. Glass hole diameter.

