

# MRXBOX-AV4

Anti-Vibration Mounting Assembly For  
MRXBOXAB-ECO4 Units



## Installation and Maintenance

### 1.0 SAFETY INFORMATION

- This appliance should not be used by children or persons with reduced physical, sensory or mental capabilities or lack of experience and knowledge, unless they have been given supervision or instruction concerning the safe use of the appliance by a person responsible for their safety. Children shall not play with the appliance. Cleaning and user maintenance shall not be carried out by children.

#### 1.1 Symbols



#### REFER TO INSTRUCTION MANUAL

Read and understand the installation and maintenance manual before installing, operating or maintaining this product.

#### 1.2 Important Information

This manual contains important information on the safe and appropriate assembly, transport, commissioning, operation, maintenance, disassembly and simple troubleshooting of the product.

While the product has been manufactured according to the accepted rules of current technology, there is still a danger of personal injury or damage to equipment if the following general safety instructions and the warnings contained in these instructions are not complied with.

- **Read these instructions completely and thoroughly before working with the product.**
- **Keep these instructions in a location where they are accessible to all users at all times.**
- **Always include the operating instructions when you pass the product on to third parties.**

#### 1.3 Personal Protective Equipment

The following minimum Personal Protective Equipment (PPE) is recommended when interacting with Nuaire product:

- **Protective Steel Toed Shoes** - when handling heavy objects.
- **Full Finger Gloves (Marigold PU800 or equivalent)** - when handling sheet metal components.
- **Semi Fingerless Gloves (Marigold PU3000 3DO or equivalent)** - when conducting light work on the unit requiring tactile dexterity.
- **Safety Glasses** - when conducting any cleaning/cutting operation or exchanging filters.
- **Reusable Half Mask Respirators** - when replacing filters which have been in contact with normal room or environmental air.

Nuaire would always recommend a site specific risk assessment by a competent person to determine if any additional PPE is required.

### 2.0 INTRODUCTION

Nuaire's MRXBOX-AV4 is designed for use with MRXBOXAB-ECO4 MVHR units. The product offers a method of installation that isolates the unit from the structure of the property and accommodates both wall and floor mounting.

### 3.0 MECHANICAL INSTALLATION

**Installation must be carried out by competent personnel in accordance with the appropriate authority and conforming to all statutory governing regulations.**

Please note a clear working space is required around the installed MRXBOXAB-ECO4 unit to allow the cover to be removed and provide sufficient access for maintenance such as filter change. Please allow a minimum of 480mm in front of the unit.

The hanging brackets of the MVHR unit and any ancillary silencer are redundant when fitting the MRXBOX-AV4 and should not be used.

The fan must be installed indoors, on a suitable wall away from direct sources of frost, heat, water spray or moisture generation.

For specific installation requirements of the MVHR unit to be installed please refer to the installation and maintenance guide supplied with the unit, the document covers additional items including access requirements, airflow configurations, condensate drainage, electrical connection and maintenance requirements that may influence the location the MRXBOX-AV4 is to be installed.

**Care must be taken to ensure the unit is installed true in all three dimensions; failure to do so may result in overflow from the internal condensation drip tray. To allow the anti-vibration mounts to operate effectively no part of the MVHR unit should be in direct contact with the building structure including any boxing in of the duct connections, the only component of the assembly that should be in contact is the mounting bracket.**

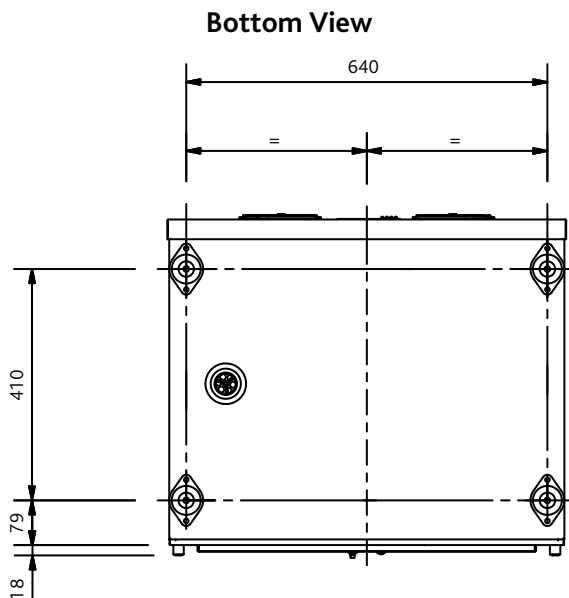
#### 3.1 Installation Procedure

All items referenced below including relevant fixings are supplied with the MRXBOX-AV4, the exception being the fixings to secure the wall brackets and the frame/plinth for floor mounting as these are specific for the individual installation.

Fit 4x Anti-vibration (AV) mounts to the base of the MVHR using 8x M8 screws pre-fitted in the base panel. If AV mounts are not required skip the above step and proceed to Section 3.3 on page 2 "Wall Mounting" to see how the MVHR unit can be secured direct to the angle brackets)

**If any Ecosmart products are to be used the connection to the MVHR unit should be made at this point as this is situated on the rear panel and access may be restricted when in place.**

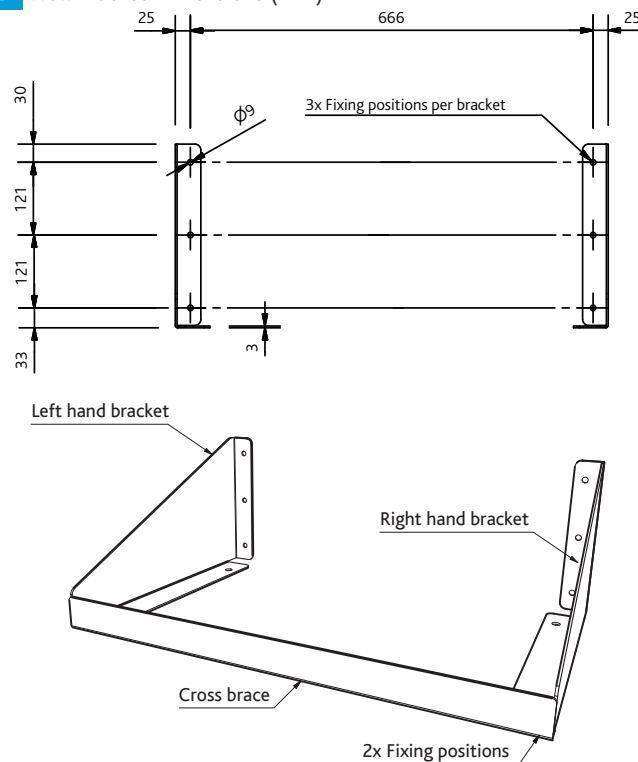
1 MVHR Unit & Support Tray Dimensions (mm)



Standard Configuration Shown,  
For Opposite Handed Units (OH) The Condensate Drain Is Located On Opposite Side

If the AV mounts are not required fit the angle brackets as detailed above but omit the cross brace from the assembly, the MVHR unit can be fitted directly to the wall brackets using the 8x M8 screws pre-fitted in the base panel.

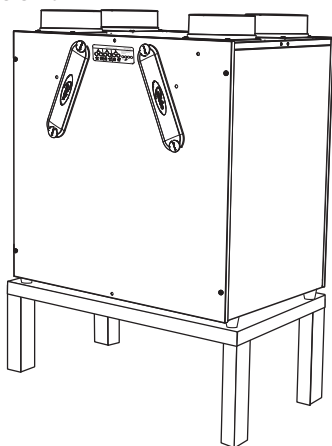
3 Wall Bracket Dimensions (mm)



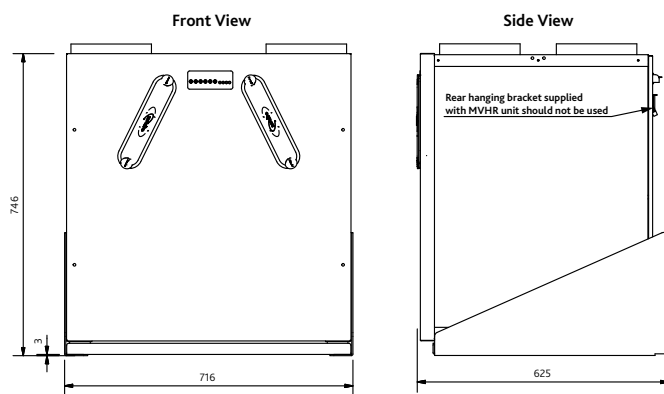
3.2 Floor Mounting

If floor mounting, the assembly is now complete and can be secured to the desired frame/plinth (not provided) using the 4x M10 screws with a plain and serrated washer for each of the threaded AV mounts (Figures 1 & 2).

2 Floor Mounted Unit



4 MVHR Unit, Support Tray & Wall Bracket Dimensions (mm)



3.3 Wall Mounting

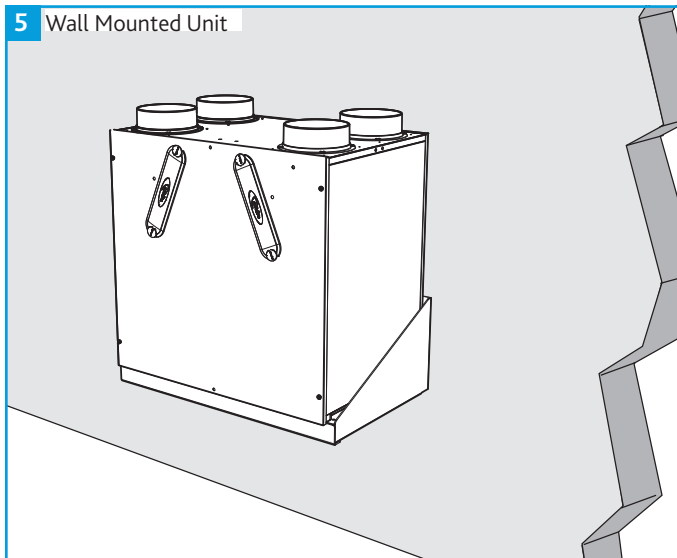
The unit is designed for wall mounting on a solid wall only, a gypsum block/plasterboard wall will not suffice.

If it is not practical to use a solid wall, the unit should be fixed to a stud partition with a 25mm minimum thickness MDF panel solidly fixed behind the plasterboard. If fixing to a stud wall the MDF panel should extend, width wise, over a minimum of 3 vertical studs with centres of no more than 400mm. A vertical stud should be located to correspond with the position each mounting bracket is to be fixed to provide additional support. Add additional vertical supports if necessary. Height wise, the MDF panel should extend from floor to ceiling.

Fit the two angle brackets (Figure 3) to solid mounting structure (fixings not supplied) and secure cross brace using M5 screws.

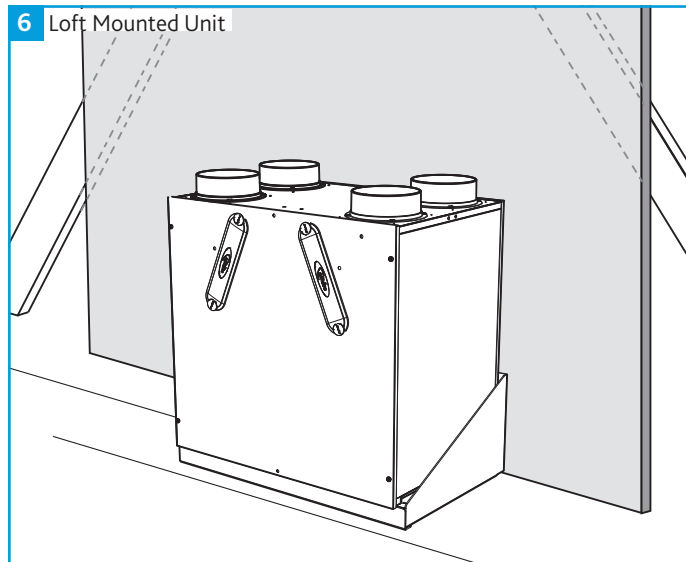
The unit and AV mounts sub-assembly can then be placed on the wall brackets and secured in place using the 4x M10 screws with plain and serrated washers supplied for each of the threaded AV mounts (Figures 4 & 5).

5 Wall Mounted Unit



### 3.4 Loft Mounting

If mounting the unit in a loft space either the floor mounting method can be utilised or a false wall may need to be created if no solid structure is available to allow installation as per the wall mounting method. The false wall should be a MDF panel with a minimum thickness 25mm that is vertically fixed across the roof trusses to form a solid structure, additional vertical supports may also be necessary (Figure 6).



### 4.0 WARRANTY

The warranty starts from the day of delivery and includes parts and labour for the first year. The remaining period covers replacement parts only.

This warranty is void if the equipment is modified without authorisation, is incorrectly applied, misused, disassembled, or not installed, commissioned and maintained in accordance with the details contained in this manual and general good practice.

The product warranty applies to the UK mainland and in accordance with Clause 14 of our Conditions of Sale. Customers purchasing from outside of the UK should contact Nuair International Sales office for further details.

**Only genuine Nuair parts and filters may be used to maintain the unit. Failure to maintain the unit as recommended will invalidate the warranty.**

### 5.0 END-OF-LIFE AND RECYCLING

Where possible Nuair use components which can be largely recycled when the product reaches its end-of-life:

- Fans, motors, controls, actuators, cabling and other electrical components can be segregated into WEEE recycling streams.
- Sheet metal parts, aluminium extrusion, heating/cooling coils and other metallic items can be segregated and fully recycled.
- EPP, plastic ducting, nylon corner pieces, plastic heat exchangers, packaging material and other plastic components can be segregated into mixed plastic and widely recycled.
- Cardboard packaging, wood, used filters and other paper components can be largely recycled or fully processed in energy from waste centres.
- Remaining Items can be further segregated and processed in accordance with the zero waste hierarchy. Please call After Sales Support for further information on items not listed above.

**Ensure that Nuair product is made safe from any electrical / water / refrigerant supplies before dismantling commences. This work should only be undertaken by a qualified person in accordance with local authority regulations and guidelines, taking into account all site based risks.**

### 6.0 AFTER SALES AND REPLACEMENT PARTS

For technical assistance or further product information, including spare parts and replacement components, please contact the After Sales Department.

If ordering spares please quote the serial number of the unit together with the part number, if the part number is not known please give a full description of the part required. The serial number will be found on the identification plate attached to the unit casing.

**Telephone 02920 858 400**  
**aftersales@nuair.co.uk**

Technical or commercial considerations may, from time to time, make it necessary to alter the design, performance and dimensions of equipment and the right is reserved to make such changes without prior notice.

