



# IAQBOX

## Indoor Air Quality Box

### Installation and Maintenance

### 1.0 Introduction

Nuaire's range of inline carbon supply filters has been specifically designed to reduce the level of airborne contaminants entering a building, in particular nitrogen dioxide (NO<sub>2</sub>), thus improving indoor air quality (IAQ). The filter unit incorporates a carbon filter and a range of particulate pre-filters are available. Units should be fitted on the supply leg of ducting and therefore do not require insulation (see fig. 3).

Unit Code	Height (mm)	Width (mm)	Length (mm)	Max Weight (kg)
IAQBOX-S	170	346	858	15.8
IAQBOX-D	170	645	858	27.8

#### CODE DESCRIPTION:

#### IAQBOX - S - PM10

1 | 2 | 3

#### 1. Indoor Air Quality Box

#### 2. Unit Width:

S = Single  
D = Double

#### 3. Optional Particulate Pre-Filter:

PM10 = Removal of particular matter (10 microns +)  
PM2.5 = Removal of particular matter (2.5 microns +)

### 1.1 Particulate Filter (Optional)

High urban PM (Particulate Matter) emissions may require an additional filter to meet air quality standards.

### 1.2 Performance Data

Nuaire's carbon filters have been independently tested and offer up to 99.5% reduction in NO<sub>2</sub>. The unit meets planning obligations and world health organisation's recommendations.

### 1.3 Resistance Data

When selecting the MVHR unit please ensure that the resistance through the carbon filter has been allowed for. Please see [www.nuaire.co.uk/iaqbox](http://www.nuaire.co.uk/iaqbox) for further details.

Figure 1. IAQBOX-S dimensions

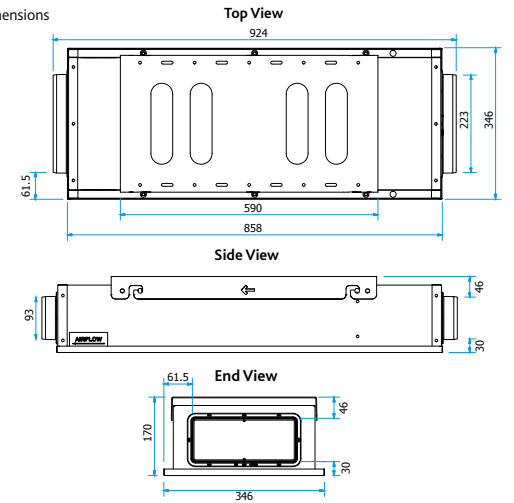


Figure 2. IAQBOX-D dimensions

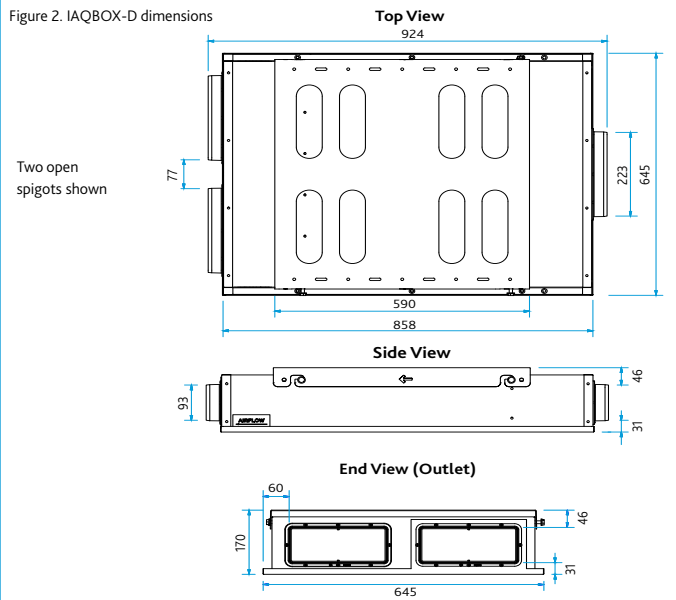
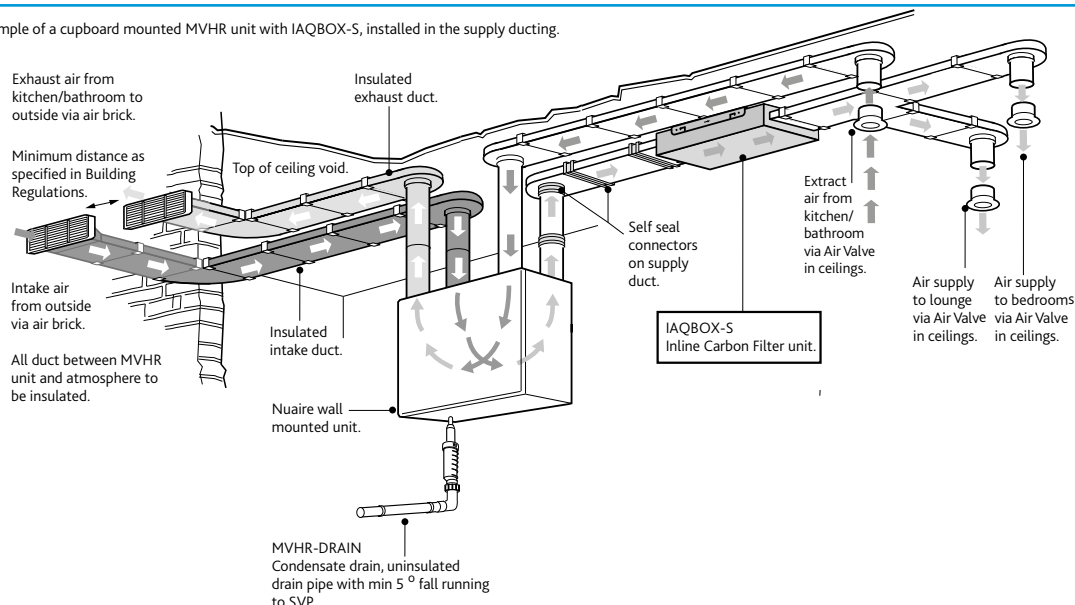


Figure 3. Typical example of a cupboard mounted MVHR unit with IAQBOX-S, installed in the supply ducting.



# Installation and Maintenance

## 2.0 Installation

Installation must be carried out by competent personnel, in accordance with good industry practice, the appropriate authority and in conformance with all statutory and governing regulations.

The mounting surface must be of a solid construction and capable of supporting the full weight of the unit.

Units are supplied complete with a mounting bracket for quick and easy surface mounted installation.

Access to the unit for maintenance is granted via the bottom panel. Ensure that an access panel has been allowed for maintenance to the unit, the space required is shown below.

Unit Code	Access Requirements	
	Width (mm)	Length (mm)
IAQBOX-S	386	898
IAQBOX-D	685	924

### 2.1 Choosing a Spigot (IAQBOX-D Only)

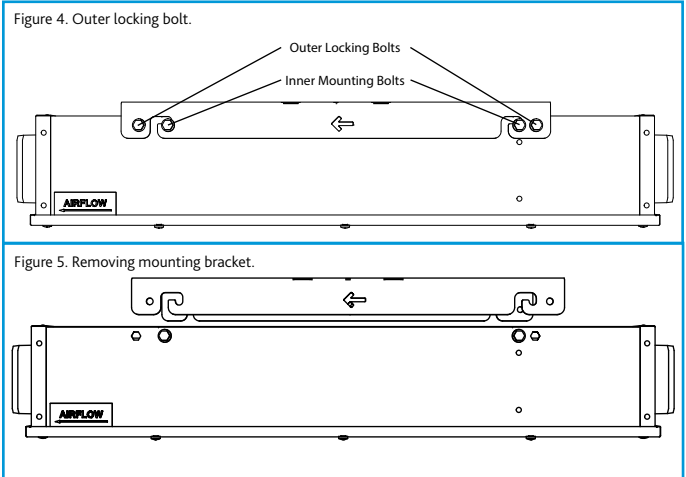
Refer to the system design drawing for the spigot configuration requirements for each installation.

Once the required spigot configuration is known, the relevant aperture(s) can be cut out. Fix the required spigot(s) to the unit with the self-tapping screws provided and seal with silicone to eliminate air leakage.

If choosing the single spigot configuration, the aperture that is not required must be sealed off with the blanking plate provided. Fix the plate with the self-tapping screws provided and seal with silicone.

### 2.2 Ceiling Mounting

- Remove unit from packaging and unscrew the outer locking bolts (two bolts on the left and right side of the unit) from the mounting bracket, storing them for later use (see fig. 4).
- Loosen the inner mounting bolts and slide/lift the mounting bracket off the unit (see fig. 5).
- Locate the mounting bracket into the desired position, with the arrows pointing in the direction of airflow. Use the bracket to mark the required drill holes.
- Using the appropriate fixings, secure the bracket to the ceiling.
- Check the orientation of the unit matches that of the mounting bracket by aligning the direction of the arrow on the bracket with the direction of the arrow on the units' airflow label.
- With the inner mounting bolts still protruding from the unit (5mm), offer the unit up to the mounting bracket, sliding up and across so that all four bolts rest in the bracket slots. Tighten all bolts.
- Lock the unit in position by refitting the outer locking bolts that were removed earlier.



### 2.3 Limited Access

It is possible to fit this unit close to a wall/obstacle which prevents the locking bolts from being installed along one side. The two unused locking bolt holes should be plugged by screwing in the rubber plugs provided before installing. All four mounting bolts **MUST** be tightened and the remaining two locking bolts **MUST** be used.

# Installation and Maintenance

## 3.0 Maintenance

Appropriate PPE (Personal Protective Equipment) should be worn during maintenance. Precautions may also be needed to protect the surrounding area from excess carbon residue.

To ensure the carbon filter maintains its high reduction of NO<sub>2</sub> the filter must be replaced once the end of its lifespan has been reached. The lifespan of the carbon filter in normal circumstances is shown in the table below.

Unit Code	Carbon Filter Lifespan	Carbon Filter Weight (kg)
IAQBOX-S	2 years	6
IAQBOX-D	4 years	11

### IMPORTANT

The carbon filter block is supported by a retaining clamp, loosening the clamp will result in the filter being freed. Be prepared to support the whole weight of the carbon filter block.

### Replacing Single Carbon Filter - IAQBOX-S

- Unscrew the fixings securing the lid in place and remove lid from unit (see fig. 6).
- Whilst supporting the back of the carbon filter block, loosen the retaining clamp bolt and rotate the clamp in order to release the block (see fig. 7).
- Pulling firmly on the rear edge of the carbon filter block will lever the filter to approximately a 45° angle (A). At this position it can be removed from the unit (B) (see fig. 8).
- Replace the carbon filter in the reverse operation to the above process. Ensure the filter is worked into position, the clamp rotated back and clamp bolt tightened prior to removing support from the replacement carbon filter block.
- Refit the unit lid.
- Wash hands thoroughly after handling.

### IMPORTANT

Carbon filters / pellets are not to be ingested.

### 3.1 Replacing Double Carbon Filter - IAQBOX-D

- Unscrew the fixings securing the lid in place and remove lid from unit (see fig. 9).
- Whilst supporting the back of the carbon filter block, loosen the retaining clamp bolt and rotate the clamp in order to release the block (see fig. 10).
- Pulling firmly on the rear edge of the carbon filter block will lever the filter to approximately a 45° angle (A). At this position it can be removed from the unit (B) (see fig. 11).
- Replace the carbon filter in the reverse operation to the above process. Ensure the filter is worked into position, the clamp rotated back and clamp bolt tightened prior to removing support from the replacement carbon filter block.
- Refit the unit lid.
- Wash hands thoroughly after handling.

Figure 6. IAQBOX-S access.

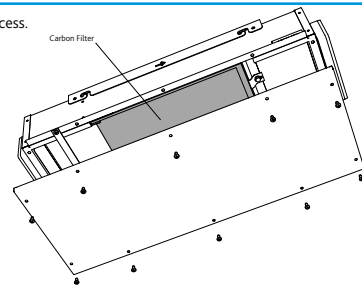


Figure 7. Single carbon filter block retaining clip.

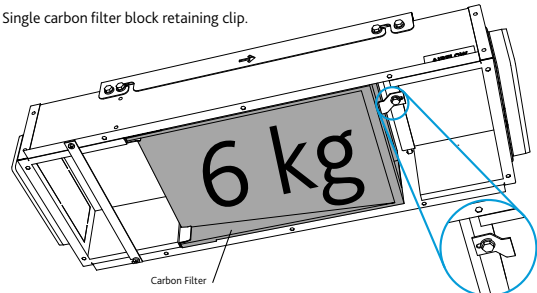


Figure 8. Single carbon filter block removal.

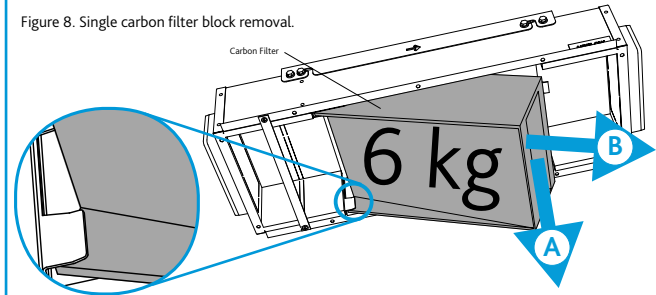


Figure 9. IAQBOX-D access.

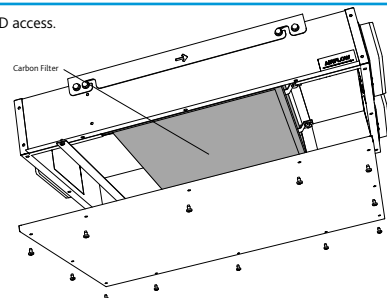


Figure 10. Double carbon filter block retaining clip.

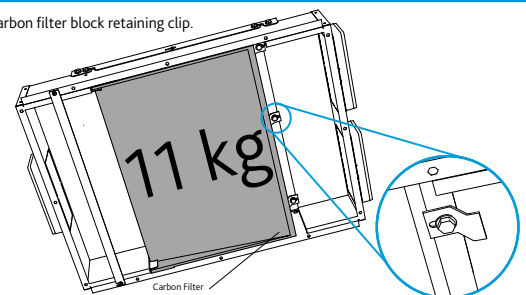
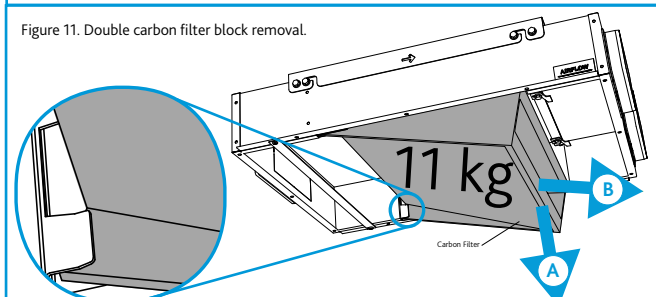


Figure 11. Double carbon filter block removal.



# Installation and Maintenance

## 3.2 Replacing Air Filter (If Applicable)

To ensure effective particulate filtration and low system resistance, optional air filters must be replaced every 12 months. Replacement filters are available for purchase direct from Nuair, with the relevant part codes shown in section 3.3 of this document.

- Unscrew the fixings securing the lid in place and remove lid from unit.
- Rotate the strap through 90° to allow removal of the filter, the fixing screw may need to be loosened to allow strap to rotate (see fig. 12 & 13).
- Fit the replacement filter ensuring the airflow direction matches the air flow of the unit (if applicable).
- Rotate strap back into position and refit unit lid.

Figure 12. IAQBOX-S air filter removal.

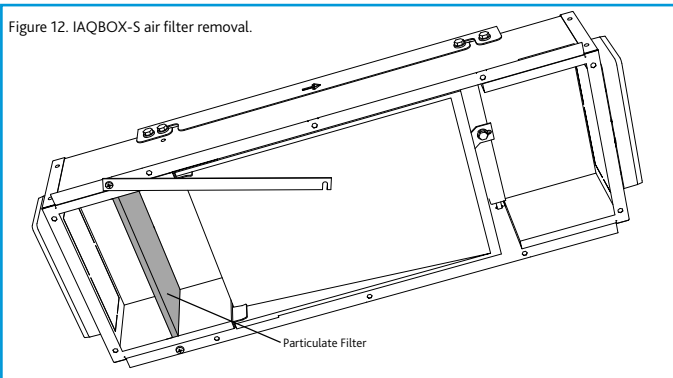
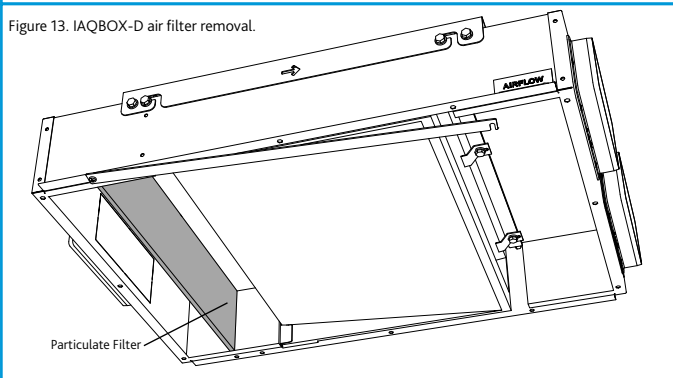


Figure 13. IAQBOX-D air filter removal.



## 3.3 Replacement Filters

Replacement filters can be purchased direct from Nuair using codes provided in the table below.

Unit Code	Carbon Filter	Particulate Filter
IAQBOX-S	CARBON-FILTERKIT-S	-
IAQBOX-S-PM10	CARBON-FILTERKIT-S	PM10-FILTERKIT-S
IAQBOX-S-PM2.5	CARBON-FILTERKIT-S	PM2.5-FILTERKIT-S
IAQBOX-D	CARBON-FILTERKIT-D	-
IAQBOX-D-PM10	CARBON-FILTERKIT-D	PM10-FILTERKIT-D
IAQBOX-D-PM2.5	CARBON-FILTERKIT-D	PM2.5-FILTERKIT-D

## 4.0 Warranty

The 5 year warranty starts from the day of delivery and includes parts and labour for the first year. The remaining period covers parts only, filter replacement is not covered by the unit warranty.

This warranty is void if the equipment is modified without authorisation, is incorrectly applied, misused, disassembled, or not installed, commissioned and maintained in accordance with the details contained in this manual and general good practice.

The product warranty applies to the UK mainland and in accordance with Clause 14 of our Conditions of Sale. Customers purchasing from outside of the UK should contact Nuair International Sales office for further details.

## 5.0 After Sales

For technical assistance or further product information, including spare parts and replacement components, please contact the After Sales Department.

**Telephone: 02920 858 400**