



MRXBOX-SIL3 (Silencer) / MRXBOX-FF3 (First Fix Plenum Chamber)
MRXBOX-SIL5 (Silencer) / MRXBOX-FF5 (First Fix Plenum Chamber)
Acoustic Solution System For Wall / Cupboard Mounted
MRXBOX(AB)-ECO3 & MRXBOXAB-ECO5 Units



Installation and Maintenance

1.0 SAFETY INFORMATION

- Ducting must be securely fixed with screws to the spigot to prevent access to live parts. Duct runs terminating close to the fan must be adequately protected by suitable guards.
- This appliance should not be used by children or persons with reduced physical, sensory or mental capabilities or lack of experience and knowledge, unless they have been given supervision or instruction concerning the safe use of the appliance by a person responsible for their safety. Children shall not play with the appliance. Cleaning and user maintenance shall not be carried out by children.

1.1 Symbols



REFER TO INSTRUCTION MANUAL

Read and understand the installation and maintenance manual before installing, operating or maintaining this product.

1.2 Important Information

This manual contains important information on the safe and appropriate assembly, transport, commissioning, operation, maintenance, disassembly and simple troubleshooting of the product.

While the product has been manufactured according to the accepted rules of current technology, there is still a danger of personal injury or damage to equipment if the following general safety instructions and the warnings contained in these instructions are not complied with.

- **Read these instructions completely and thoroughly before working with the product.**
- **Keep these instructions in a location where they are accessible to all users at all times.**
- **Always include the operating instructions when you pass the product on to third parties.**

1.3 Personal Protective Equipment

The following minimum Personal Protective Equipment (PPE) is recommended when interacting with Nuaire product:

- **Protective Steel Toed Shoes** - when handling heavy objects.
- **Full Finger Gloves (Marigold PU800 or equivalent)** - when handling sheet metal components.
- **Semi Fingerless Gloves (Marigold PU3000 3DO or equivalent)** - when conducting light work on the unit requiring tactile dexterity.
- **Safety Glasses** - when conducting any cleaning/cutting operation or exchanging filters.
- **Reusable Half Mask Respirators** - when replacing filters which have been in contact with normal room or environmental air.

Nuaire would always recommend a site specific risk assessment by a competent person to determine if any additional PPE is required.

2.0 INTRODUCTION

Nuaire's First Fix and Acoustic Solution system is designed to not only significantly reduce noise but to improve the installation when wall or cupboard mounting the MRXBOX(AB)-ECO3 or MRXBOXAB-ECO5 MVHR Units.

Offering a complete MVHR acoustic and first fix solution to overcome both noise and ease the installation of heat recovery units.

Nuaire's system addresses both duct and breakout noise; provides an aesthetically pleasing cupboard installation for the home occupant and reduces installation errors and time.

Information shown refers to complete system, not all parts will be relevant if part of system is fitted.

3.0 MECHANICAL INSTALLATION

Installation must be carried out by competent personnel in accordance with the appropriate authority and conforming to all statutory governing regulations.

No boarding should take place until after the full system installation has been completed.

Please note a clear working space is required around the installed MVHR unit to allow the cover to be removed and provide sufficient access for maintenance such as filter change.

Please allow a minimum of 430mm in front of the MRXBOX-ECO3 unit and 360mm in front of the MRXBOXAB-ECO(3/5).

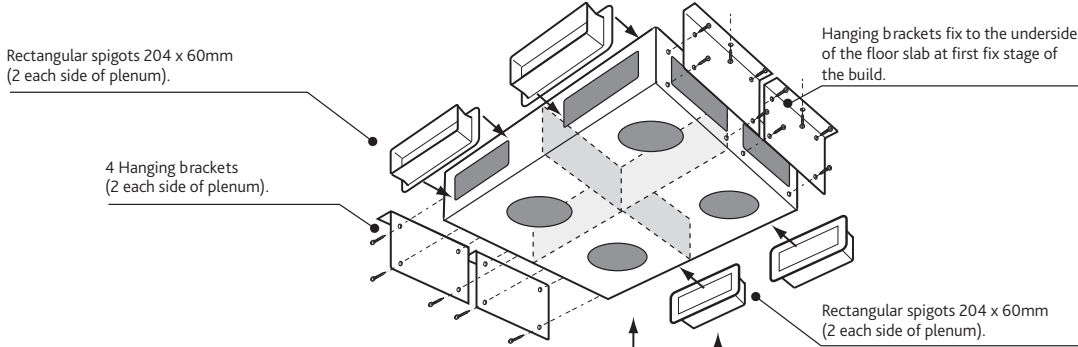
The fan must be installed indoors, on a suitable wall away from direct sources of frost, heat and water spray or moisture generation.

For a vibration-free result the unit must be mounted to a solid wall.

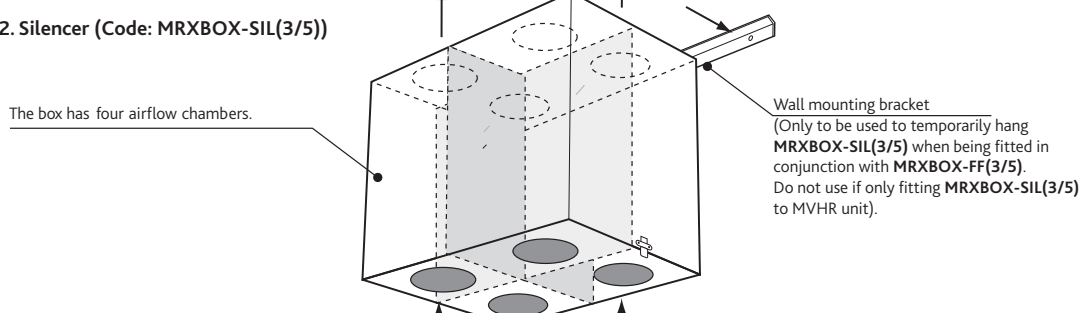
For further installation information for the MVHR unit please refer to installation document supplied with the unit.

1 Acoustic Solution And Ducting For Wall Mounted ECO(3/5) MVHR Units

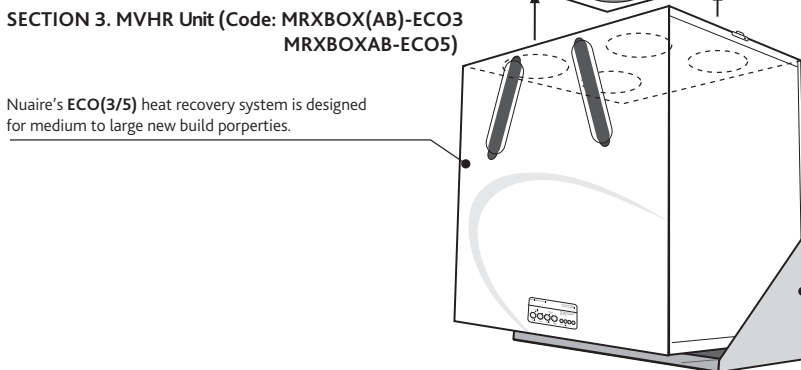
SECTION 1. First Fix Plenum Chamber (Code: MRXBOX-FF(3/5))



SECTION 2. Silencer (Code: MRXBOX-SIL(3/5))



SECTION 3. MVHR Unit (Code: MRXBOX(AB)-ECO3 MRXBOXAB-ECO5)



SECTION 4. Angle Bracket (Code: 7713047)

A cross brace should be fitted using M5 fixings. These are only to be used when installing both a MRXBOX-SIL(3/5) and MRXBOX-FF(3/5).

3.1 Installation (Sealing)

3.1.1 MRXBOX-FF(3/5)

Fit rectangular spigots to required positions, the remaining cut outs should be covered by the 4 hanging brackets supplied.

All components should be fitted with self-tapping screws provided and sealed with silicone.

When fitting the spigots to the foam lined chamber of the plenum, the foam should be cut away in the openings where the spigots are to be fitted.

If MRXBOX-SIL(3/5) is not being used 150mm diameter spigots should be fitted with self-tapping screws provided and sealed with silicone.

3.1.2 MRXBOX-SIL(3/5)

Remove 4 x 150mm spigots from the MVHR unit and fit a length of self-adhesive seal around the perimeter of each cut-out covering the screw heads (Figure 2).

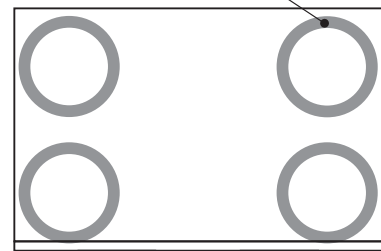
If MRXBOX-FF(3/5) is not being used, the spigots removed from the MVHR unit can be re-fitted to the top panel of MRXBOX-SIL(3/5) using the same fixings and sealed with silicone.

Otherwise fit the remaining length of self-adhesive seal to the top surface of the MRXBOX-SIL(3/5) to form a sealed perimeter around each circular cut out (Figure 3).

Ensure all joints are mated neatly to prevent leakage.

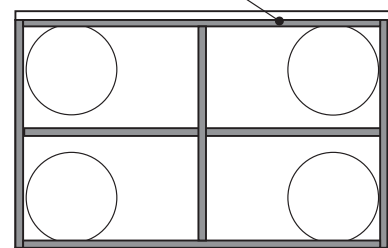
2 MVHR Unit Viewed From Above

Remove 4 x spigots from the MVHR unit and fit a length of self-adhesive seal around the perimeter of each covering the screw heads.



3 MRXBOX-SIL(3/5) Viewed From Above

Self-adhesive seal around top surfaces of the MRXBOX-SIL(3/5) airflow chambers to form a sealed perimeter.

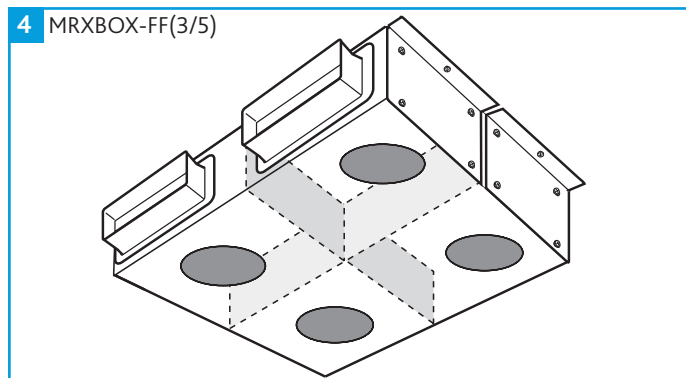


3.2 Installation (First Fix)

3.2.1 MRXBOX-FF(3/5)

The First Fix plenum chamber should be fixed (fixings supplied by others) with the off centre cylindrical cut-outs nearest to the wall the MVHR unit is to be installed on. A 30mm clearance between the wall and the rear face of the plenum chamber is required (Figures 1 and 10).

The ceiling of the property will require an appropriate size cut out to allow the connection to be made when the secondary items are to be fitted.



3.3 Installation

3.3.1 MRXBOX-SIL(3/5)

The unit is designed for mounting on a solid wall, a gypsum block or stud/plasterboard wall will not suffice. If fixing to a stud wall a piece of MDF at least 25mm thick should be solidly fixed behind the board, the MDF panel should ideally run from floor to ceiling but must be a minimum of 2m. The MDF panel should also extend width wise over a minimum of three studs with centres no more than 400mm, additional vertical supports may be required.

For more detailed information on how to mount the unit and structural requirements please refer to the I&M document supplied with the MVHR unit.

Please note that a clear working space is required around the installed MVHR unit to allow the cover to be removed and provide sufficient access for maintenance such as a filter change. Please allow a minimum of 430mm in front of the unit (continued overleaf).

The below information regarding the angle brackets is only relevant when the installation includes both a MRXBOX-SIL(3/5) and MRXBOX-FF(3/5), if this is not the case the MVHR unit should be fitted using the standard installation instructions supplied with that product. If only fitting an MRXBOX-SIL(3/5) this should then be sat on top of the MVHR unit and clamped in place as detailed later in this section.

If fitting in conjunction with a MRXBOX-AV(3/5) follow the installation instructions with that product. A MRXBOX-AV(3/5) cannot be used if fitting both a MRXBOX-SIL(3/5) and MRXBOX-FF(3/5).

The wall mounting brackets and angle bracket (7713047) should now be fitted (fixings supplied by others) according to the installed position of the plenum and the measurements shown in Figure 9.

MRXBOX-SIL(3/5) to be hung on the wall using mounting bracket supplied loose in the MVHR unit packaging, see below.

The MVHR unit can then be sat on the angle brackets and the cross brace should be fitted using the M5 fixings provided, once the unit is in position.

Raise the units using the adjustment feet provided until the MRXBOX-SIL(3/5) is lifted off its wall mounting bracket, ensuring the two sections are correctly aligned and fasten the toggle clamps on the sides of the units. The safety pins supplied should be fitted to secure the clamps in place (Figure 7). Continue to raise the units using the adjustment feet again checking for good alignment to form a seal against the MRXBOX-FF(3/5) and ensure installation is level.

When positioning is complete the adjustment feet should be secured in position using the four locking nuts (Figure 8).

Please note the above method is the preferred installation arrangement, a minimum gap of 75mm either side of the unit is advised to allow access to the toggle clamps.

If space constraints do not allow this, the toggle clamps can be replaced with the metal fixing plates provided (Figure 9). The MVHR unit and MRXBOX-SIL(3/5) will need to be secured together and lifted as one assembly using suitable lifting equipment.

5 Wall Mounting Bracket

6 Mounting Silencer Using Bracket

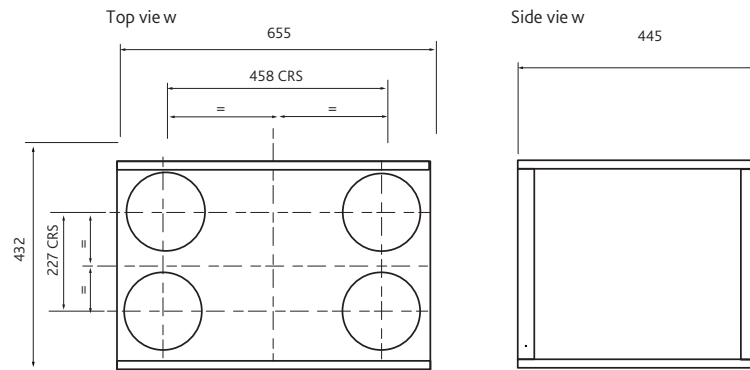
7 Toggle Clamp

8 Locking Nut

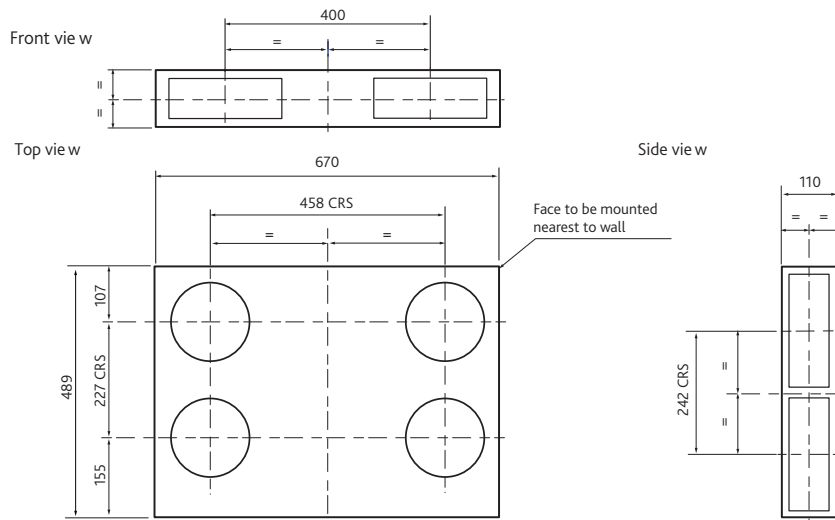
9 Fixing Plate

3.4 Dimensions (mm)

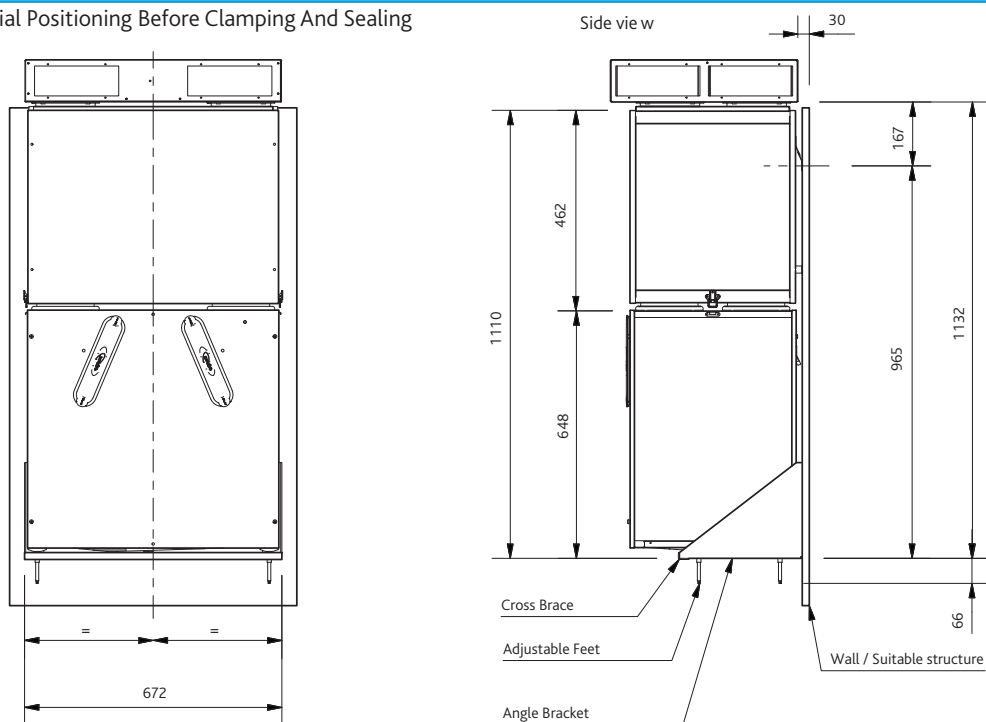
10 MRXBOX-SIL(3/5)

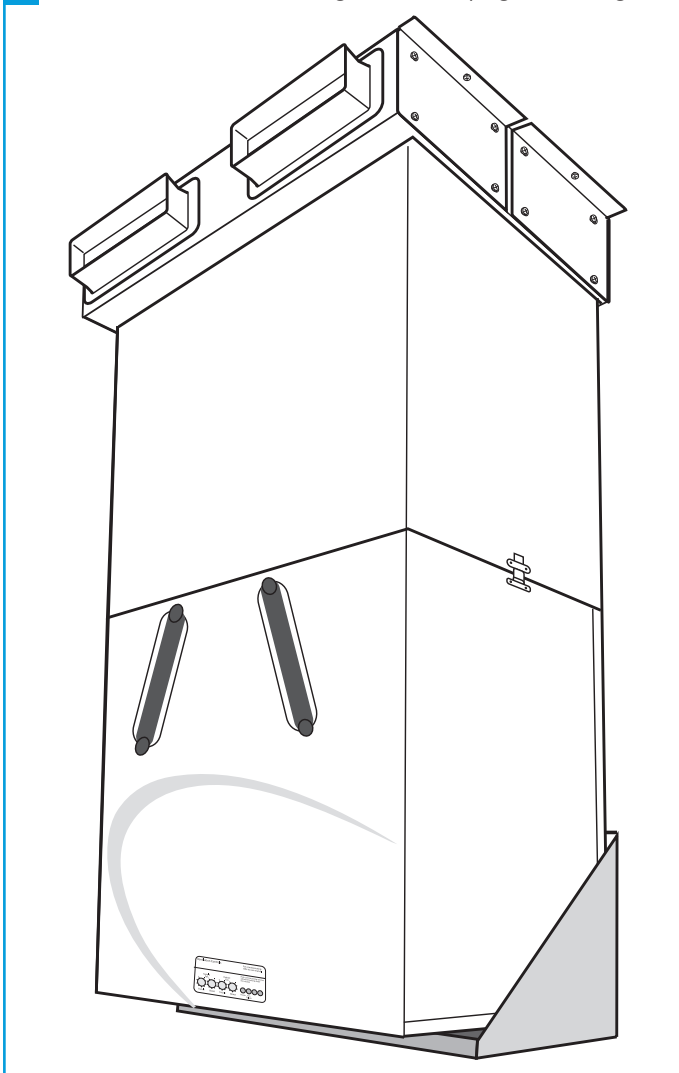


11 MRXBOX-FF(3/5)



12 Front View Of Initial Positioning Before Clamping And Sealing



13 Front View Of Initial Positioning Before Clamping And Sealing**4.0 WARRANTY**

The warranty starts from the day of delivery and includes parts and labour for the first year. The remaining period covers replacement parts only.

This warranty is void if the equipment is modified without authorisation, is incorrectly applied, misused, disassembled, or not installed, commissioned and maintained in accordance with the details contained in this manual and general good practice.

The product warranty applies to the UK mainland and in accordance with Clause 14 of our Conditions of Sale. Customers purchasing from outside of the UK should contact Nuair International Sales office for further details.

Only genuine Nuair parts and filters may be used to maintain the unit. Failure to maintain the unit as recommended will invalidate the warranty.

5.0 END-OF-LIFE AND RECYCLING

Where possible Nuair use components which can be largely recycled when the product reaches its end-of-life:

- Fans, motors, controls, actuators, cabling and other electrical components can be segregated into WEEE recycling streams.
- Sheet metal parts, aluminium extrusion, heating/cooling coils and other metallic items can be segregated and fully recycled.
- EPP, plastic ducting, nylon corner pieces, plastic heat exchangers, packaging material and other plastic components can be segregated into mixed plastic and widely recycled.
- Cardboard packaging, wood, used filters and other paper components can be largely recycled or fully processed in energy from waste centres.
- Remaining Items can be further segregated and processed in accordance with the zero waste hierarchy. Please call After Sales Support for further information on items not listed above.

IMPORTANT

Ensure that Nuair product is made safe from any electrical / water / refrigerant supplies before dismantling commences. This work should only be undertaken by a qualified person in accordance with local authority regulations and guidelines, taking into account all site based risks.

6.0 AFTER SALES AND REPLACEMENT PARTS

For technical assistance or further product information, including spare parts and replacement components, please contact the After Sales Department.

If ordering spares please quote the serial number of the unit together with the part number, if the part number is not known please give a full description of the part required. The serial number will be found on the identification plate attached to the unit casing.

Telephone 02920 858 400
aftersales@nuair.co.uk

Technical or commercial considerations may, from time to time, make it necessary to alter the design, performance and dimensions of equipment and the right is reserved to make such changes without prior notice.

NOTES
