



NA-E-150 Range (50Hz only)

Axial Wall/Ceiling Mounted Utility and Kitchen Fans

Installation and Maintenance



1.0 Introduction

These high quality extractor fans are designed to provide effective ventilation. To achieve this, please read these instructions carefully BEFORE installing the fan unit. Failure to comply with these instructions could reduce both the life and performance of the product and may invalidate the warranty.

This product is suitable for use with a maximum of 1.5m of rigid ducting. (Flexible ducting is not recommended).

This appliance can be used by children aged from 8 years and above and persons with reduced physical, sensory or mental capabilities or lack of experience and knowledge if they have been given supervision or instruction concerning use of the appliance in a safe way and understand the hazards involved. Cleaning and user maintenance should not be made by children without supervision.

2.0 Installation

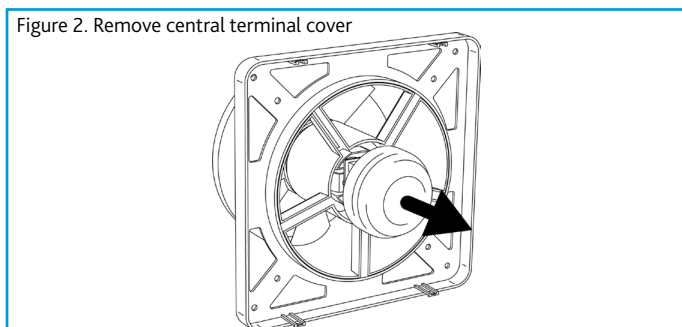
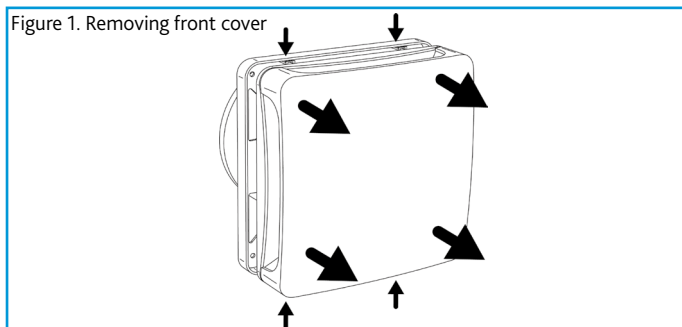
The installation must be completed by competent persons in accordance with good industry practice and should conform to all governing and statutory bodies i.e. IEE, CIBSE, HVCA etc.

Before commencing any work read the following instructions carefully and ensure you have the necessary competency to complete the work safely.

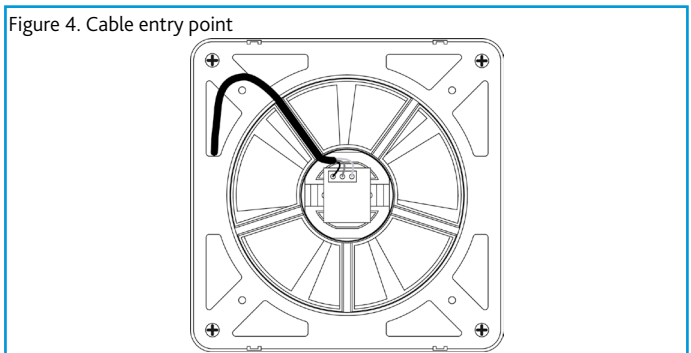
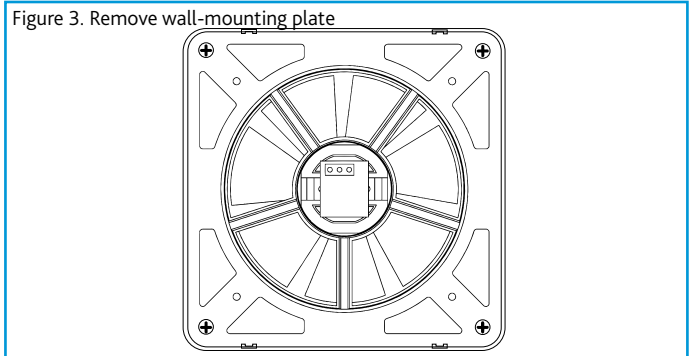
IMPORTANT

Isolation - Before commencing work, make sure that the unit, switched live and any controls are electrically isolated from the mains supply. If in doubt, consult an electrician.

1. Select a suitable position for the fan that keeps the duct as short and as straight as possible (ideally on the ceiling or on a wall within 400mm of the ceiling).
2. Cut a hole in the wall to suit the outside diameter of the ducting or wall-liner. Install the duct or wall-liner taking care to seal at both ends between it and the wall using proprietary waterproof mastic.
3. Remove the front cover of the fan by pulling the fan back plate straight off (Fig. 1).

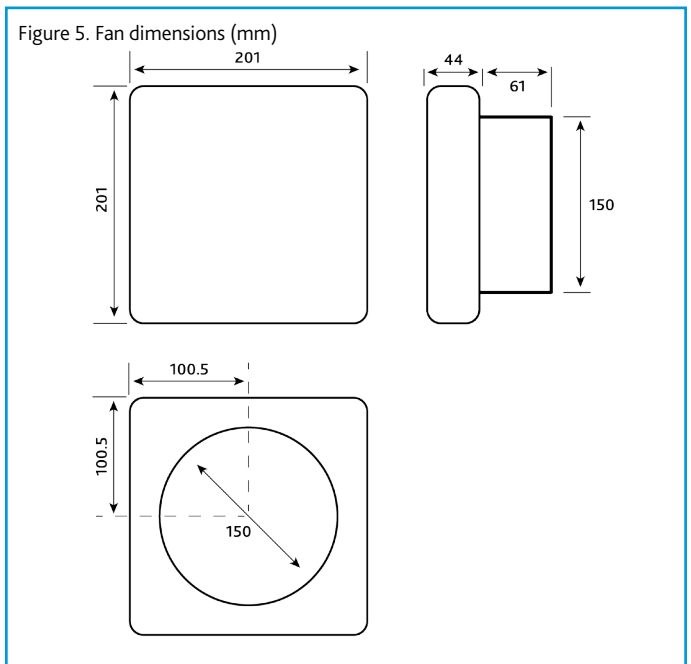


4. Position the fan in the duct and mark the four retaining screw positions through the backplate. Fit screw anchors suitable for the wall construction.
5. Remove the central terminal cover by first removing the central Posidriv® retaining screw (Fig. 2).
6. Unclip and remove the fan wall-mounting plate (Fig. 3).



7. Complete the wiring by following the relevant wiring diagram on the following page (for cable entry detail see Fig. 4).
8. Reassemble using these instructions in reverse.

3.0 Dimensions



Installation and Maintenance

NA-E-150 Axial Utility and Kitchen Fans

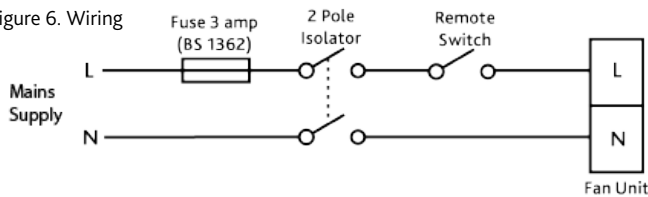
4.0 Wiring Instructions

Disconnection from the supply mains must be incorporated within the fixed wiring in accordance with the wiring regulations and shall have a minimum contact separation of 3mm in accordance with the latest edition of the IEE Wiring Regulations.

SL = 230Vac 50Hz 1ph Switched Live
 L = 230Vac 50Hz 1ph Permanent Live
 N = Neutral

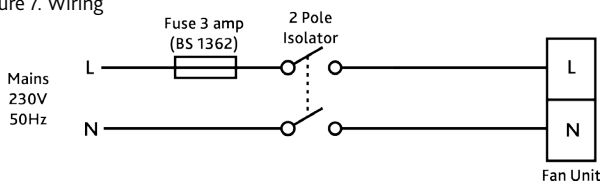
Unit Serving Bathroom NA-E-150

Figure 6. Wiring



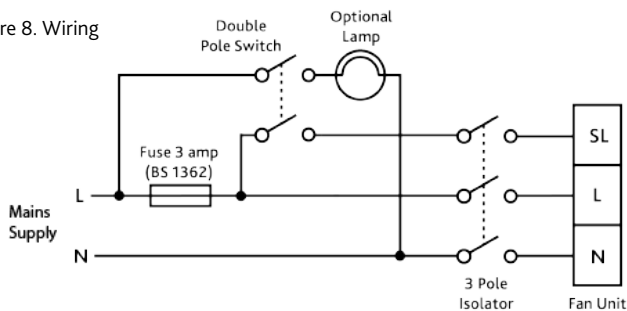
Unit Serving Bathroom NA-E-150PC

Figure 7. Wiring



Unit Serving Bathroom NA-E-150T / NA-E-150H via remote switch (Optional timer operation)

Figure 8. Wiring



PCB Details

Figure 9. NA-E-150

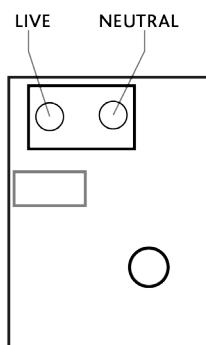
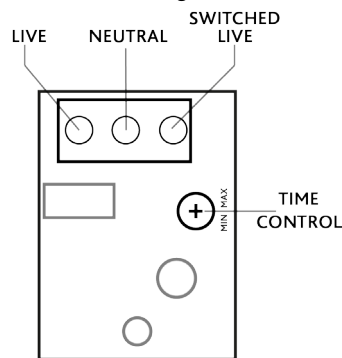


Figure 10. NA-E-150T



5.0 Operation

Overrun timer adjustment – models fitted with overrun timers only

Before making any adjustments, isolate the fan from the power supply. Remove the front cover and the body moulding. The time control 'pot' can adjust the desired run-on time between 1 - 20 minutes (see Fig. 9).

This product is double insulated and does not require an earth conductor. Maximum room temperature 40°C.

Range	Description
NA-E-150	Standard
NA-E-150T	Overrun timer
NA-E-150PC	Pull cord override
NA-E-150H	Humidistat and optional overrun time

6.0 Maintenance

The fan unit does not require any maintenance. However, for optimum performance, it is advisable to remove any accumulated dust with a low power vacuum cleaner.

Note: Installation and maintenance of the equipment must be as directed in the instructions provided with the unit.

7.0 Warranty

The 2 year warranty starts from the day of delivery and includes parts and labour for the first year. The remaining year covers replacement parts only.

This warranty is void if the equipment is modified without authorisation, is incorrectly applied, misused, disassembled, or not installed, commissioned and maintained in accordance with the details contained in this manual and general good practice.

The product warranty applies to the UK mainland and in accordance with Clause 14 of our Conditions of Sale. Customers purchasing from outside of the UK should contact Nuair International Sales office for further details.

8.0 After Sales Enquiries

For technical assistance or further product information, including spare parts and replacement components, please contact the After Sales Department.

Telephone: 02920 858 400
 AfterSales@nuaire.co.uk

Technical or commercial considerations may, from time to time, make it necessary to alter the design, performance and dimensions of equipment and the right is reserved to make such changes without prior notice.