

8.0 Dimensions (mm)

Fig. 14a. dMEV+ fan unit.

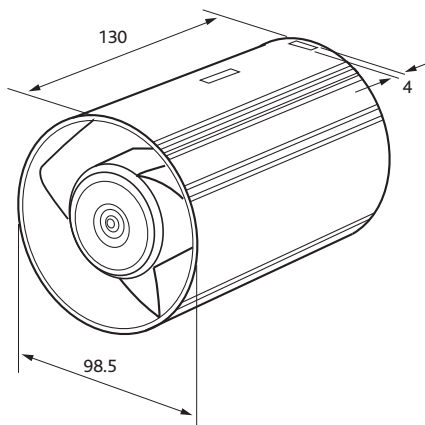
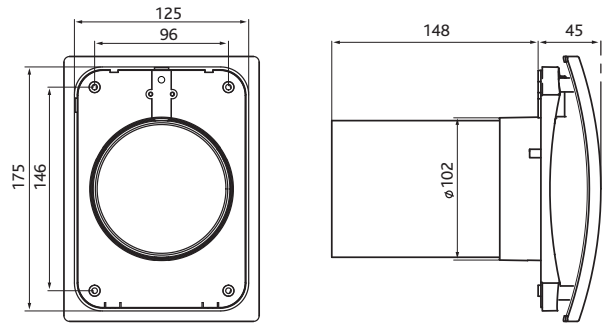
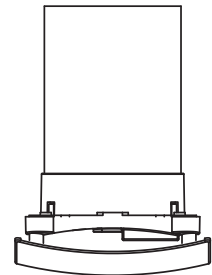
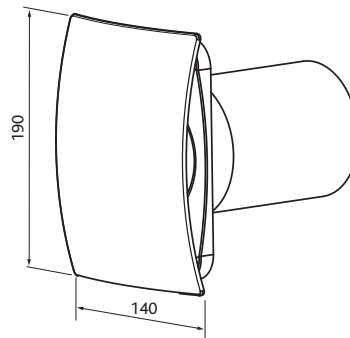


Fig. 14b. dMEV+ fan and room grille.



Back view.

Side view.



Top view.

9.0 Electrical

Voltage:	230V
Frequency:	50Hz

10.0 Wiring

Unit serving bathroom or kitchen (optional boost)

(Optional remote switch) 2/3 Pole isolator Fan unit

Speed setting

Low High

Unit is fixed speed. Select between either Low or High speed with the jumper position.

i.e. Bathroom installation Low speed (Pre-set factory position).

Unit serving bathroom (via light switch)

Remote/light switch 3 Pole isolator Fan unit

Cable clamp

Customer wiring

SL L N

Speed Setting:	Low Continuous	Low Boost	High Continuous	High Boost
Air Flow:	6 l/s	13 l/s	8 l/s	18 l/s

11.0 Maintenance

The fan unit does not require any maintenance. However, for optimum performance, it is advisable to remove any accumulated dust with a low power vacuum cleaner.

Note: Installation and Maintenance of the equipment must be as directed in the instructions provided with the unit.

12.0 Warranty

The 5 year warranty starts from the day of delivery and includes parts and labour for the first year. The remaining 4 years covers replacement parts only.

This warranty is void if the equipment is modified without authorisation, is incorrectly applied, misused, disassembled, or not installed, commissioned and maintained in accordance with the details contained in this manual and general good practice.

The product warranty applies to the UK mainland and in accordance with Clause 14 of our Conditions of Sale. Customers purchasing from outside of the UK should contact Nuaire International Sales office for further details.

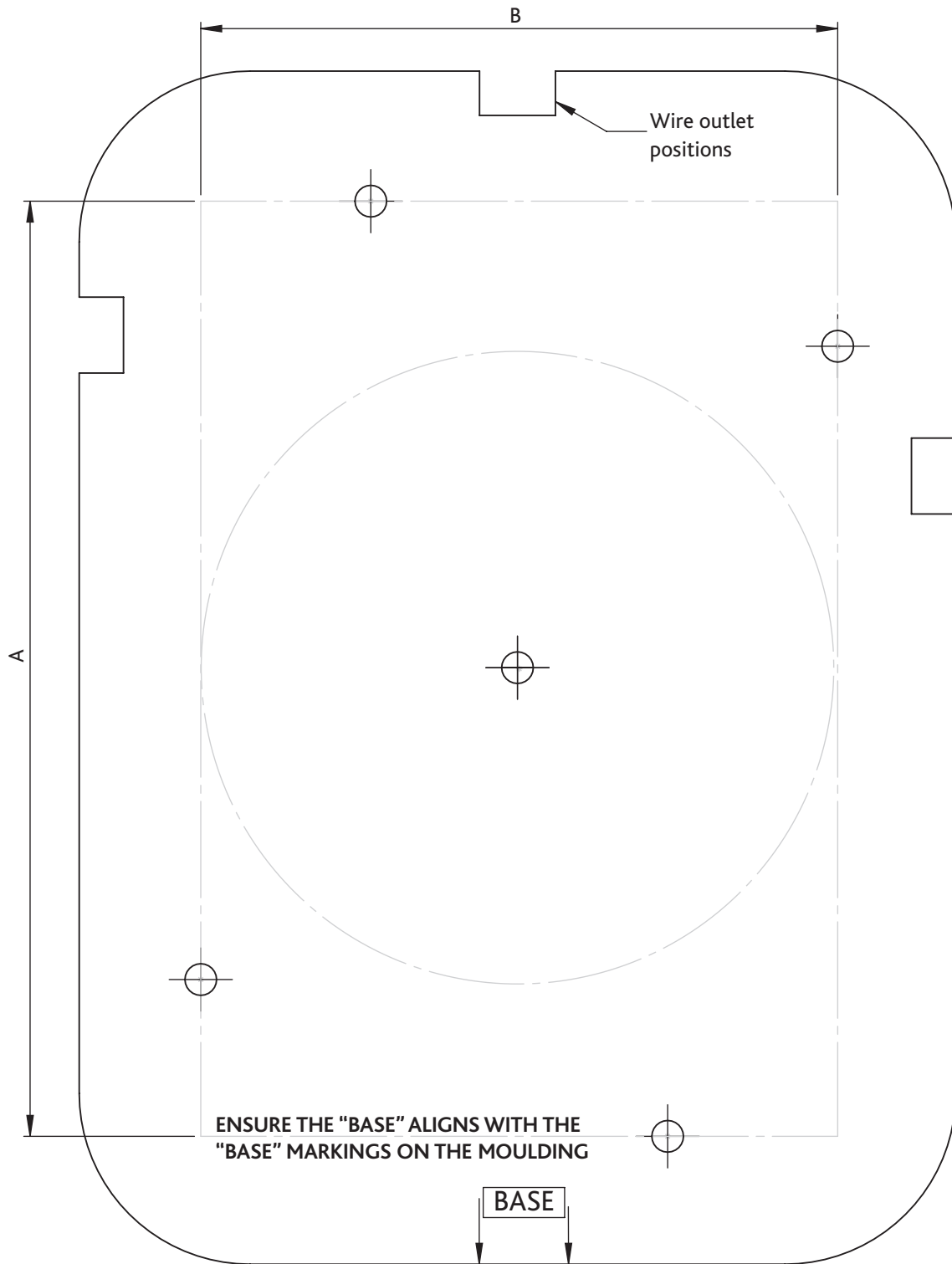
13.0 After Sales

For technical assistance or further product information, including spare parts and replacement components, please contact the After Sales Department.

Telephone 02920 858 400

Technical or commercial considerations may, from time to time, make it necessary to alter the design, performance and dimensions of equipment and the right is reserved to make such changes without prior notice.

14.0 Skirt Spacer Template



Note, if printing document check scale.

A = 147.8mm

B = 100.7mm