



# Umbilical Cord Kit

## For Aire-Volve Single Fans & Twin Fans (Single Phase only)

### Installation and Maintenance

INDOOR USE ONLY

#### 1.0 Introduction

The Umbilical cord kit allows the fan control module to be removed from the side panel of the fan unit to be surface mounted up to 1 metre away from the main unit for ease of access. **Umbilical Cord kit Code for Twin Fans: AVT-CK.** **Umbilical Cord kit Code for Single Fans: (see below)**

| Single Fan Units   | Umbilical Cord Kit Ref: |
|--------------------|-------------------------|
| AV52, AV53 & AV54H | 776902                  |
| AV54, AV55 & AV56  | 775932                  |
| AV57 & AV58        | 7703976                 |
| AV59               | N/A                     |

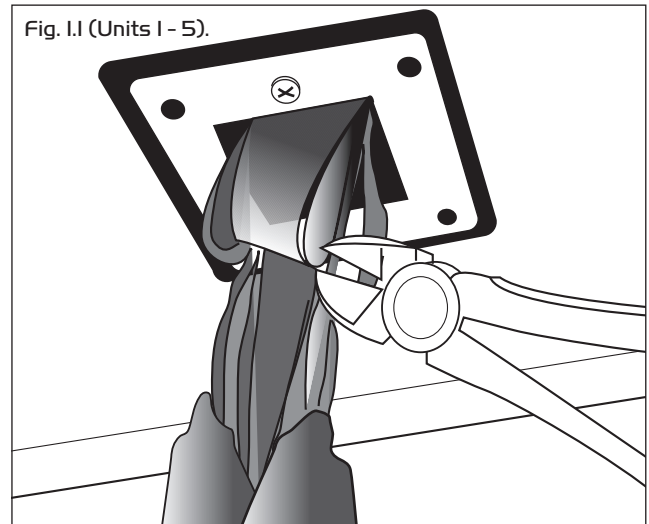
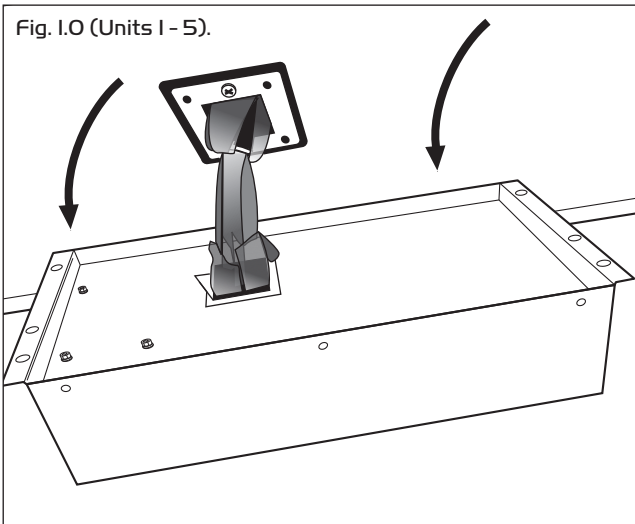
**Step I: (Units 1 - 5)** Remove control module/terminal box from the side panel of the fan unit case (4 screws) (Fig. 1.0) and ease cable and cable seal partially through cut-out until a cable tie can be accessed (Fig. 1.I). Remove cable tie, ensuring no damage to cable.

#### 2.0 Installation

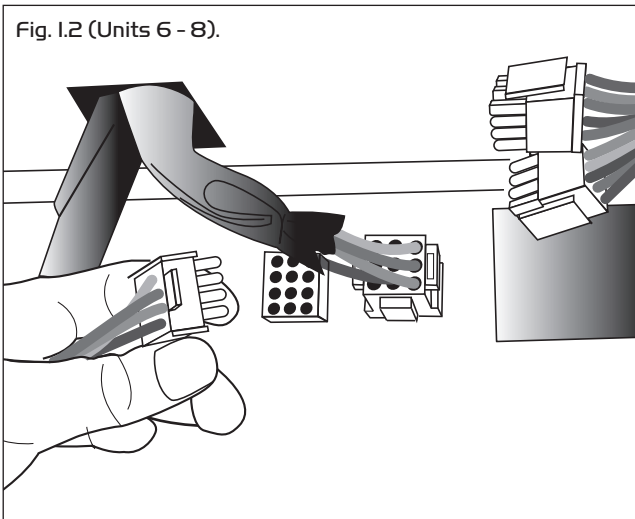
The installation must be carried out by competent personnel in accordance with the appropriate authority and conforming to all statutory and governing regulations.

Note: when surface mounting the control module/terminal box in the remote position it must be mounted on a secure, vibration free vertical surface away from direct heat sources or water spray. The maximum permissible ambient temperature is 40°C. Mark through the flange rear and mount the case onto the wall.

#### 3.0 Fitting the umbilical cord kit



**Step IA: (Units 6 - 8)** Open access panel (reference fan I&M) and disconnect control cable (Fig. 1.2) Remove control from side of case (4 screws) (Fig. 1.0) and ease cable and cable seal partially through cut-out until a cable tie can be accessed Remove the cable tie ensuring no damage to cable (Fig. 1.I).



#### IMPORTANT

Isolation - Before commencing work make sure that the unit is electrically isolated from the mains supply.

## Fitting the umbilical cord cont.

**Step 2: (All models)** Remove cable seal plate (2 Screws) (Fig. 2.0) and ease internal harness & plugs through the cut-out in the side panel of the fan unit case and disconnect plug (Fig. 2.1) ensure female plugs do not retract back into unit.

Fig. 2.0 (All models).

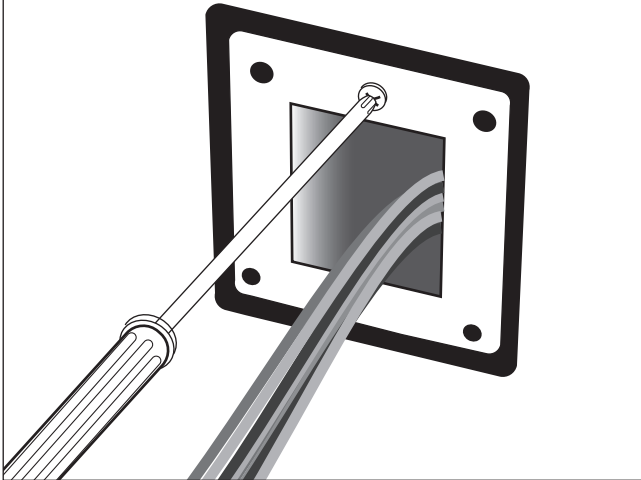
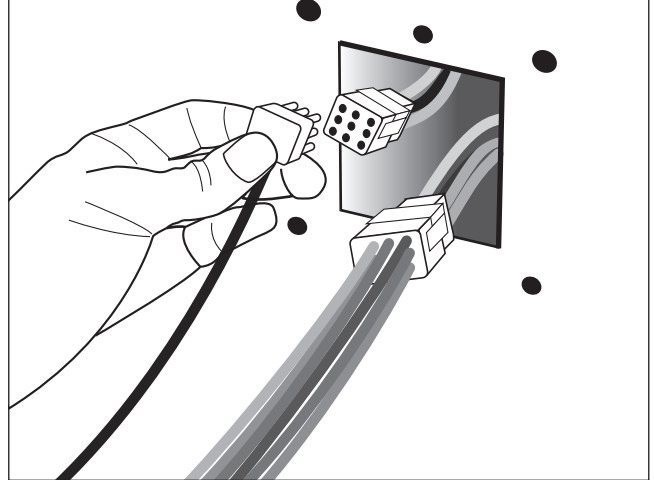


Fig. 2.1 (All models).



**Step 3:** Remove cable seal, cable seal plate and air seal block from control loom, and refit in the correct order to umbilical cord and secure cable seal with cable tie (Fig. 3.0 and 3.1).

Fig. 3.0 (All models).

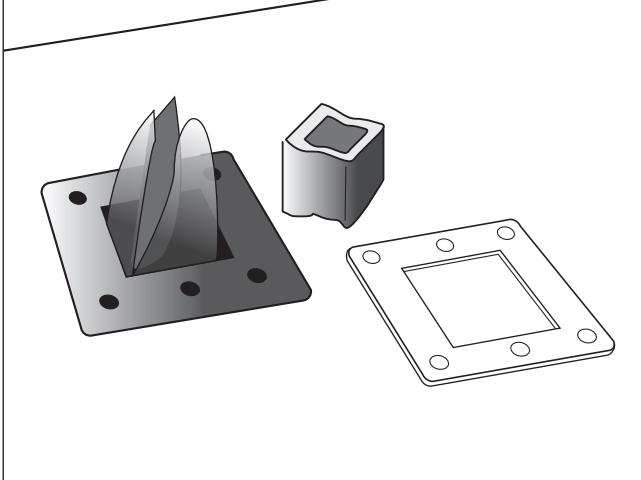
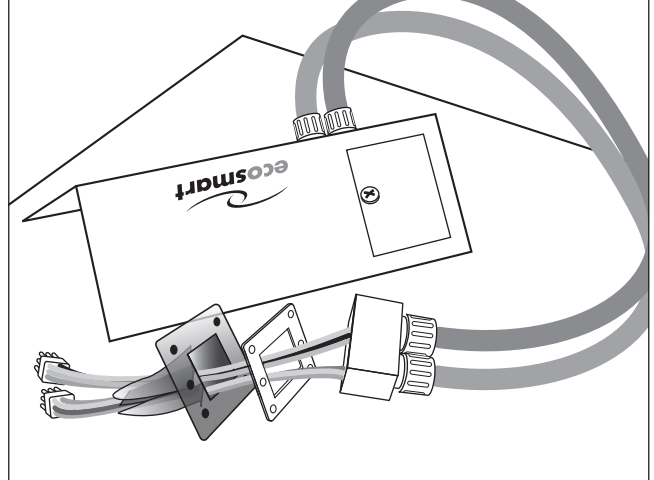


Fig. 3.1 (All models).



**Step 4: (Units 1 - 4 only)** (Fig 4.0) Connect umbilical cord to internal harness, feed plugs back through the cut-out in the side panel of the fan unit case.  
**(Units 5 - 8 only)** (Fig. 4.1) Connect harness internally.

Fig. 4.0 (Units 1 - 4 only).

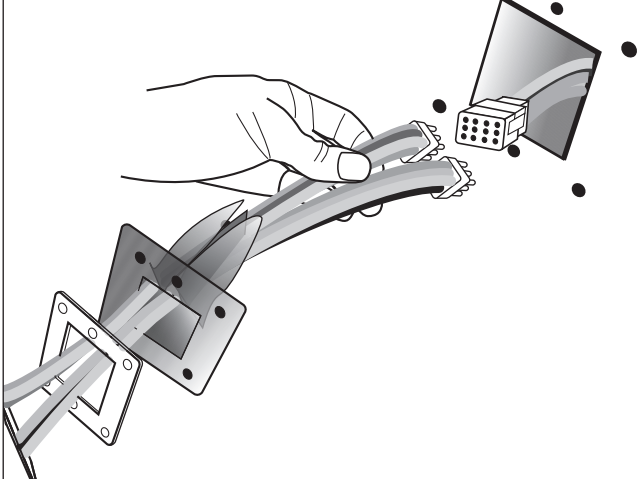
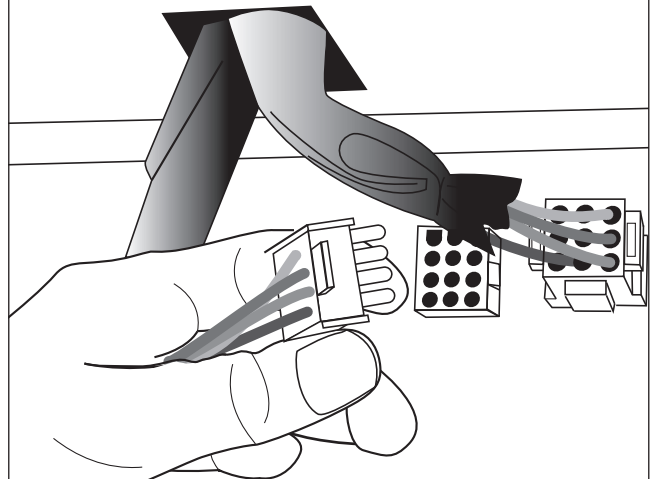


Fig. 4.1 (Units 5 - 8 only).



## Fitting the umbilical cord cont.

**Step 5: (All models)** Note: Use cable seal plate as a template to punch clearance holes in cable seal and refit cable seal plate, fit air seal block and fit cover (Fig 5.0, 5.1 & 5.2).

Fig. 5.0 (All models).

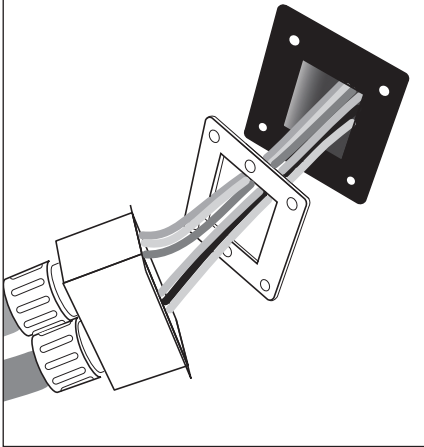


Fig. 5.1 (All models).

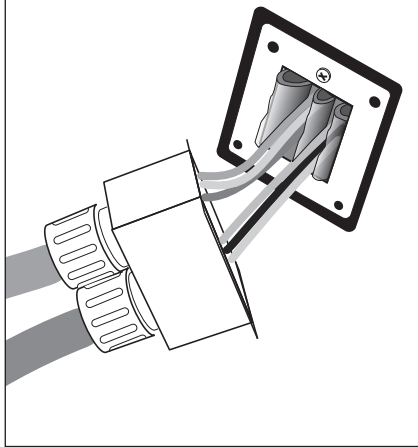
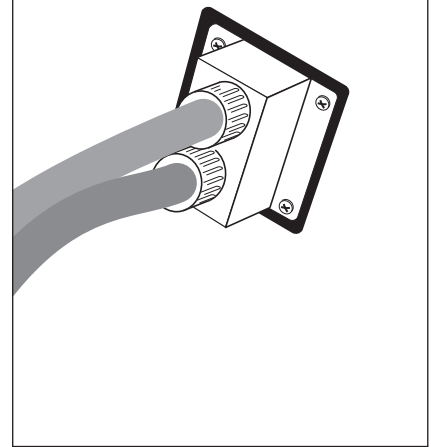


Fig. 5.2 (All models).



**Step 6: (All models)** Remove cover from control module/terminal box and feed control harness back through back of control (Fig 6.0) then connect umbilical cord (Fig 6.1) and refit cover. Note: Ensure plugs are not disconnected from board.

Fig. 6.0 (All models).

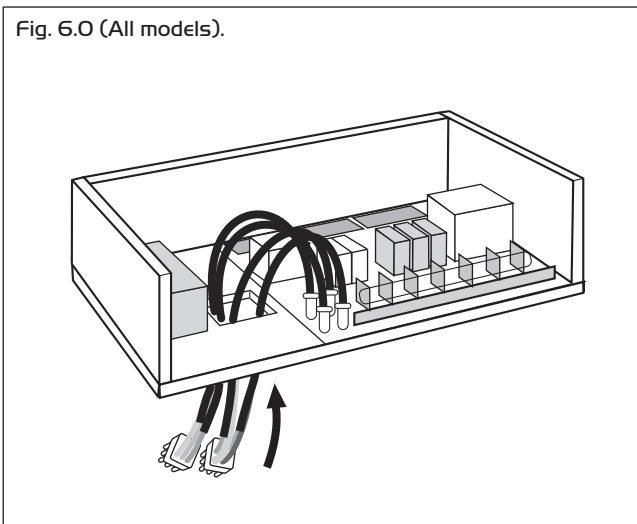
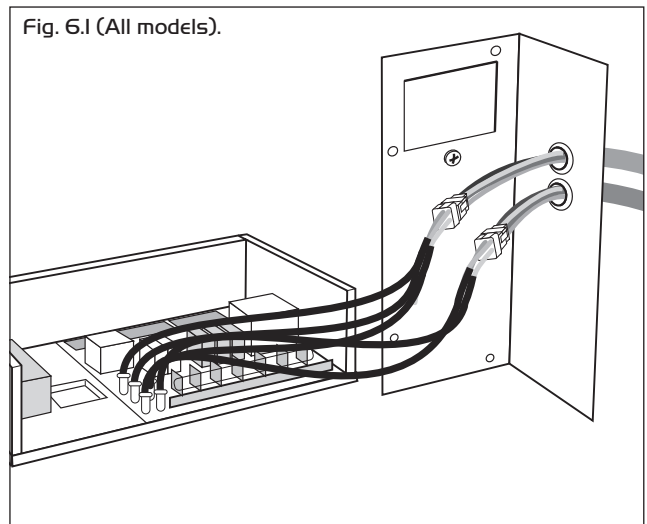


Fig. 6.1 (All models).



**Step 7: (All models)** The fan unit control module/terminal box can now be relocated. (Fig. 7.0). Note: the unit must be mounted on a secure, vibration free vertical surface away from direct heat sources or water spray. The maximum permissible ambient temperature is 40°C. Mark through the flange rear and mount the case onto the wall.

Fig. 7.0 (All models).

