

XS IDK 6/9/12

In Duct Kit for use with XS-6/9/12
Supply/Extract Fans

Assembly Instructions

Addendum to
I&M 671067

In Duct Kit

For use with XS supply and extract fans for In Duct applications when using flexible ducting. Comprising of one In Duct Kit manufactured from HIPS.

The XS fan module should be mounted into one half of the In Duct Kit (see fig. 1) and the remaining half of the Duct Kit should be fitted to the half containing the XS fan. Please note that the half with no overlap edge fits inside the half with an overlap edge.

Having installed the fan module into the In Duct Kit, place Worm Drive clips over the inlet/outlet sections and tighten.

Ducting can now be connected both sides.

Coding:

Order Code: XS-IDK6 for 6" Fans

Order Code: XS-IDK9 for 9" Fans

Order Code: XS-IDK12 for 12" Fans

Figure 1. Installing fan module into In Duct Kit.

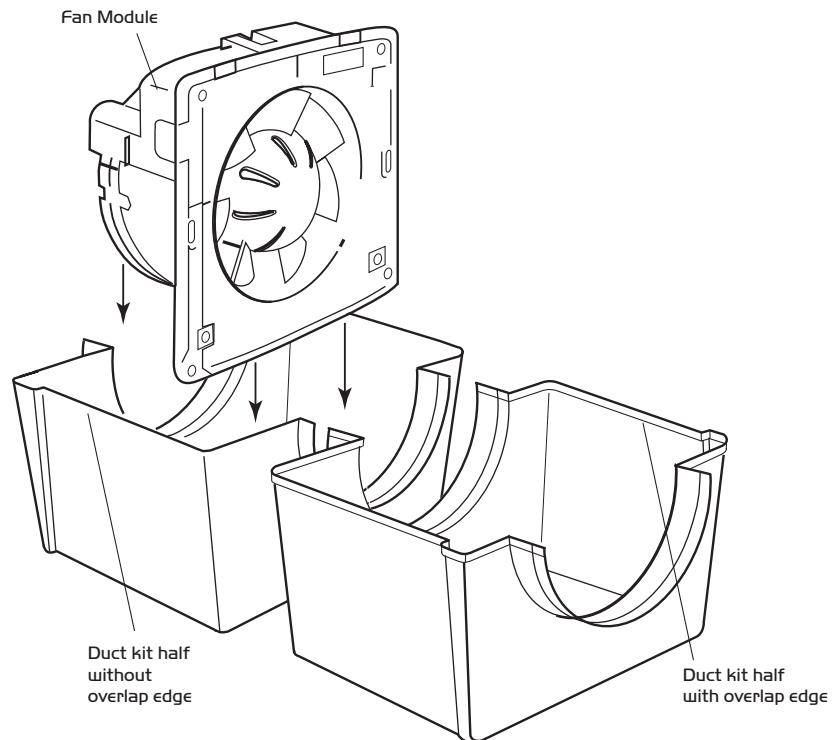
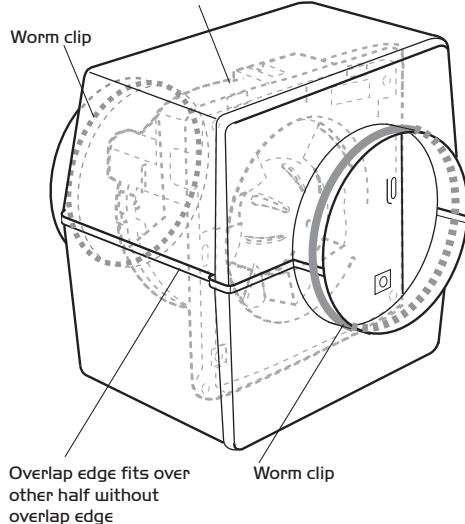
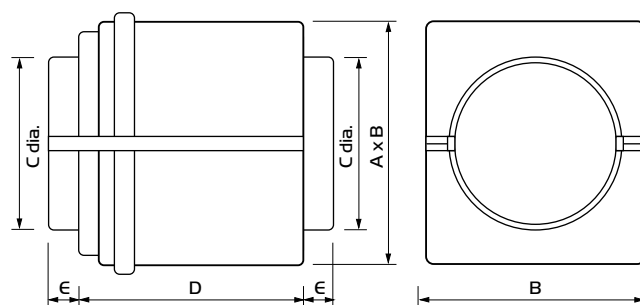


Figure 2. Installed fan module.

Fan module installed into Duct Kit



Dimensions (mm)



	XS-IDK6	XS-IDK-9	XS-IDK12
A	268	348	420
B	268	348	420
C	197	247	347
D	240	250	268
E	25	25	25

Technical or commercial considerations may, from time to time, make it necessary to alter the design, performance and dimensions of equipment and the right is reserved to make such changes without prior notice.