

SL521

Conversion Control

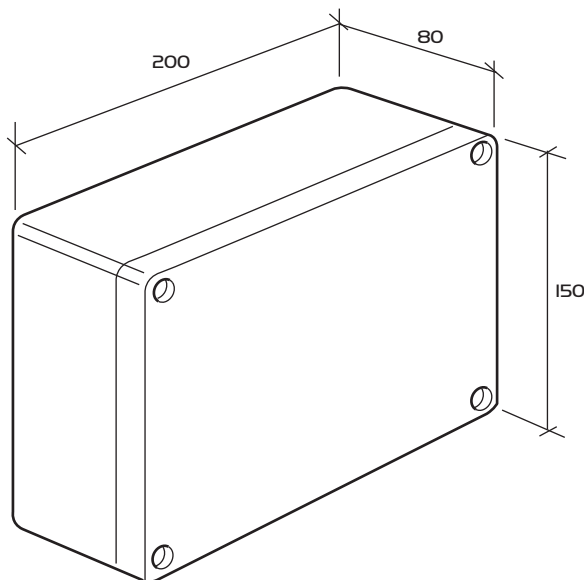
Installation and Maintenance

Introduction

This control is designed to convert multiple switched live signals into a single common output signal. The output can be used to drive a small fan or as a mains signal into another device such as Nuairé's Ecosmart fans.

The output of the unit will be switched on if any one of the switched live input is active. Please note there is a small delay (approx. 4 seconds) between the input being active and the output being switched on and again at switch off.

Figure 1. Dimensions



Ratings

230V - 50Hz 3W.

Maximum load: 5A resistive / inductive.

Installed environment: 0°C to 40°C, up to 90% RH (non-condensing).

Installation

Installation must be carried out by competent and suitably qualified personnel.

This control must be installed indoor; away from any source of heat, water spray and steam. The unit must be mounted on a fixed surface which is free from vibration and at a location that is accessible for maintenance purposes.

Do not install the unit in a corrosive or potentially explosive atmosphere.

Remove the plastic cover. Mark through the unit's fixing holes' positions onto the mounting surface. Drill and secure the unit using appropriate fastener.

IMPORTANT

Warning - Isolate the mains supply before commencing any electrical work on this unit.

This unit may contain mains circuit from multiple sources, always check the circuits are safe using a suitable meter and ensure these circuits are locked in the safe condition.

Do not use a common neutral for the input switched live signals; this could cause the RCD supplying these circuits to trip.

Wiring (See overleaf)

Warranty

The three year warranty starts from the date of delivery and includes parts and labour for the first year. The labour element is subject to full, free and safe access to the equipment as prescribed in the CDM regulation. The remaining two years covers the replacement of parts only.

This warranty is void if the equipment is modified without authorisation, is incorrectly applied, misused, disassembled, or not installed, commissioned and maintained in accordance with the details contained in this manual and general good practice.

The product warranty applies to the UK mainland and in accordance with Clause 14 of our Conditions of Sale. Customers purchasing from outside of the UK should contact Nuairé International Sales office for further details.

Maintenance

The unit does not require any maintenance. However, for optimum performance, it is advisable to remove any accumulated dust with a low power vacuum cleaner.

After Sales

For technical assistance or further product information, including spare parts and replacement components, please contact the After Sales Department.

Telephone 02920 858 400

Wiring

Figure 2. General wiring diagram.

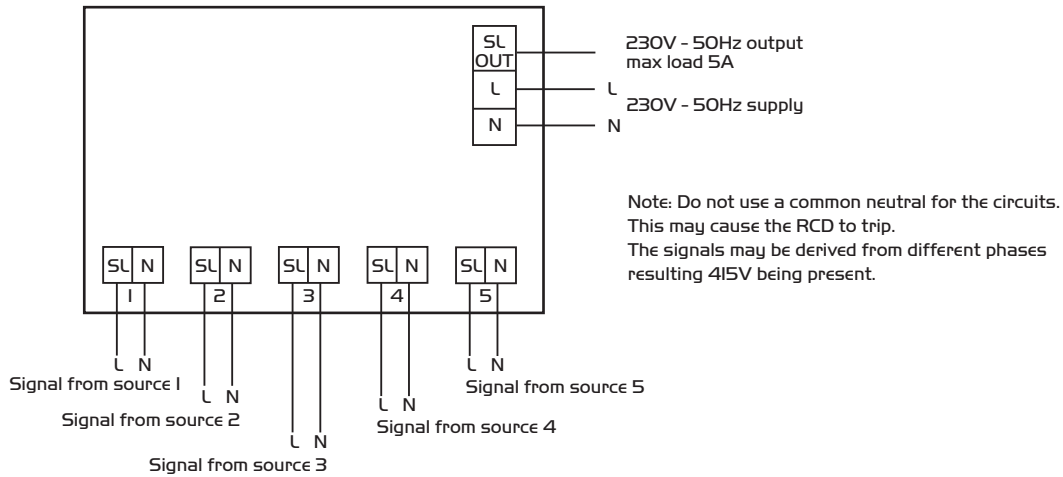


Figure 3. Typical wiring diagram – connection to an Ecosmart fan.

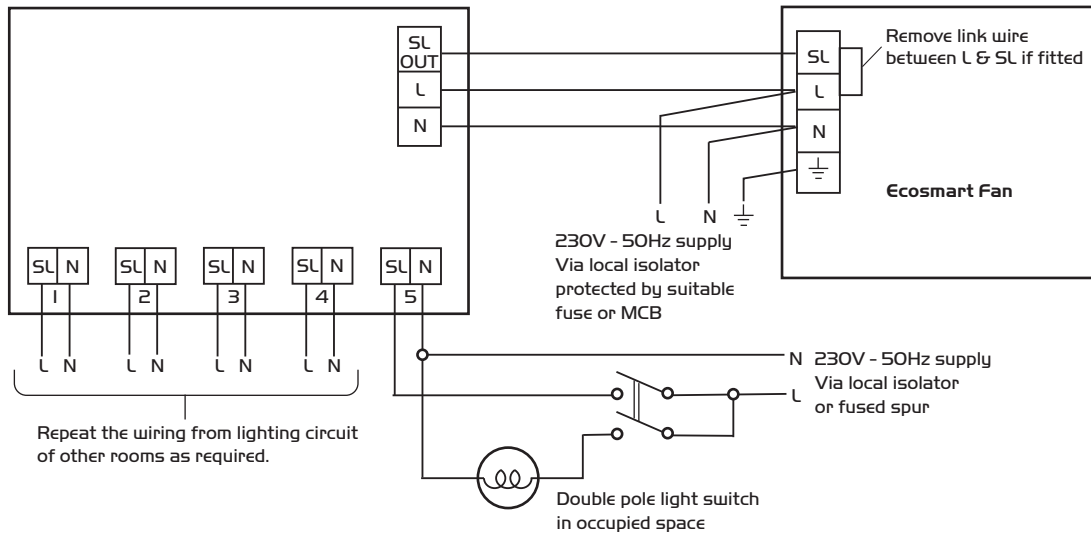
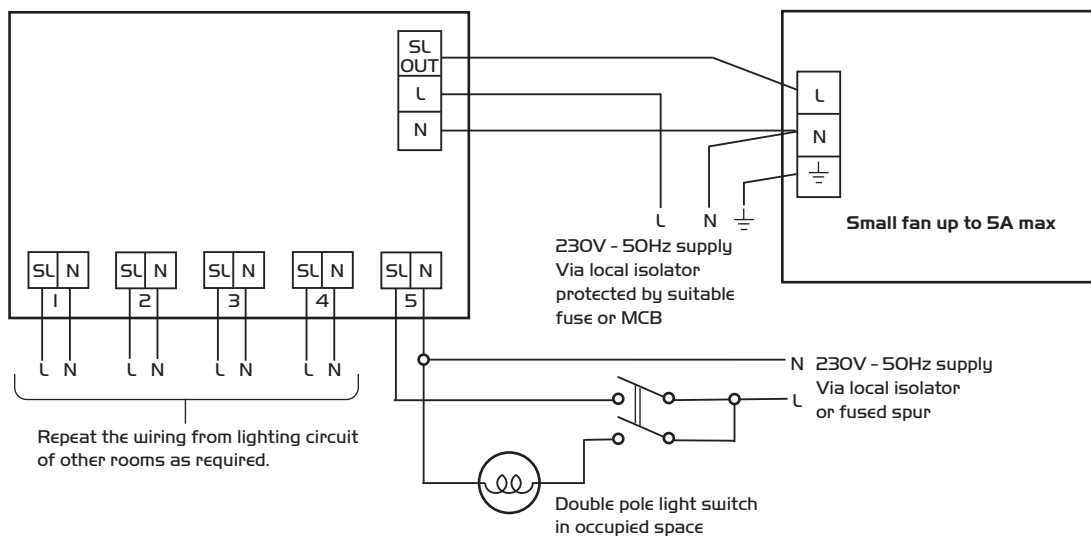


Figure 4. Typical wiring diagram – connection to drive a small fan



Technical or commercial considerations may, from time to time, make it necessary to alter the design, performance and dimensions of equipment and the right is reserved to make such changes without prior notice.