

OPUS RFI

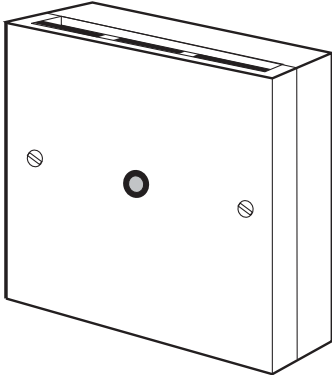
Remote Fail Indicator



CE The EMC Directive
2014/30/EU
The Low Voltage
directive
2014/35/EU

Addendum Sheet

Figure 1.



Wiring Details of Opus RFI for use with Opus 30/60 range of fan units

The electrical diagram below illustrates the wiring allowing for remote status indication. The RFI is connected to the fan unit via low voltage wiring.

Figure 2. Fan terminal block

