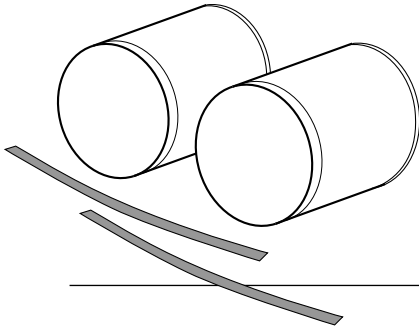


Drimaster Filter Kit

For Drimaster Models Pre 2001 (Part No. 774485)

Installation Guide



Please note: this filter kit is only suitable for Drimaster models manufactured prior to 2001 as units manufactured after this date incorporate built in retaining clips to hold the filters. (See figure 1).

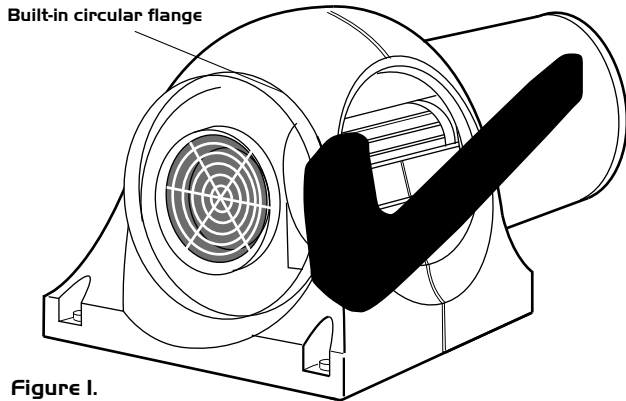


Figure 1.

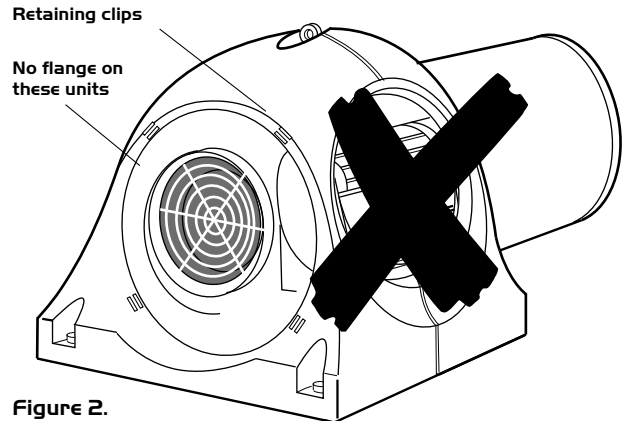


Figure 2.

1. This self assembly kit includes two replacable filters A and B and two lengths of self adhesive velcro tape C and D.

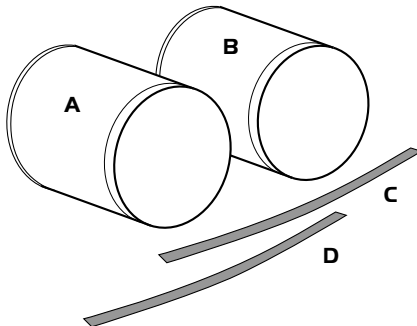


Figure 3.

2. Remove the two old filters from the Drimaster. Take one strip of velcro tape, peel off the backing and proceed to position the tape (sticky side down), to the inside of the circular flange from which the old filter was removed. (See figure 4).

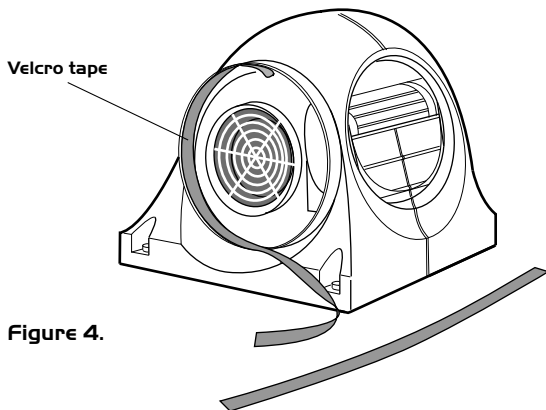


Figure 4.

3. Continue this operation until the tape fills the circumference of the the flange, then repeat the exercise on the filter flange on the reverse side of the Drimaster (See figure 5).

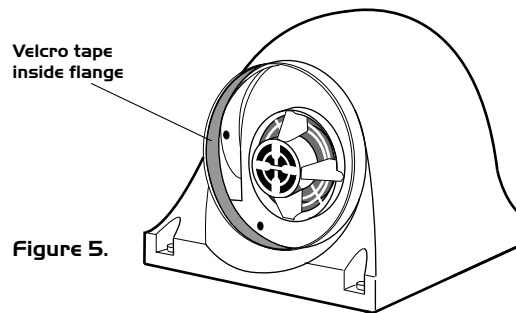


Figure 5.

4. Take one of the filters and insert the open end into the circular flange containing the velcro tape (Figure 6). Press the circular wire frame inside the end of the filter so that it fits snugly inside the flange on top of the velcro strip. Repeat this exercise with the second filter on the opposite side of the unit.

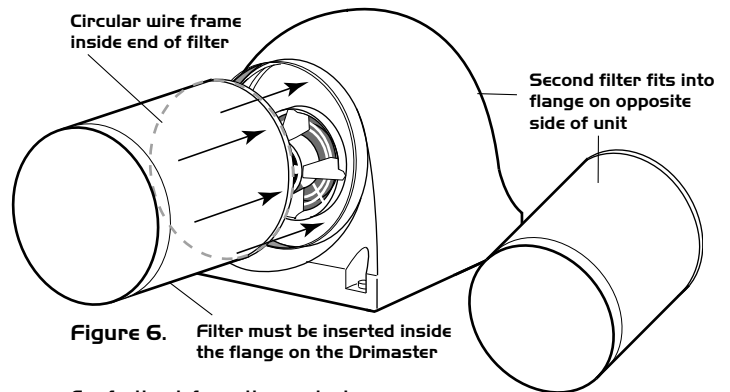


Figure 6. Filter must be inserted inside the flange on the Drimaster

For further information contact:

Customer Services Department
on 02920 858 585