

OPUS+TSTAT

Thermostat for Opus 100/150 Fan Units

Installation Guide

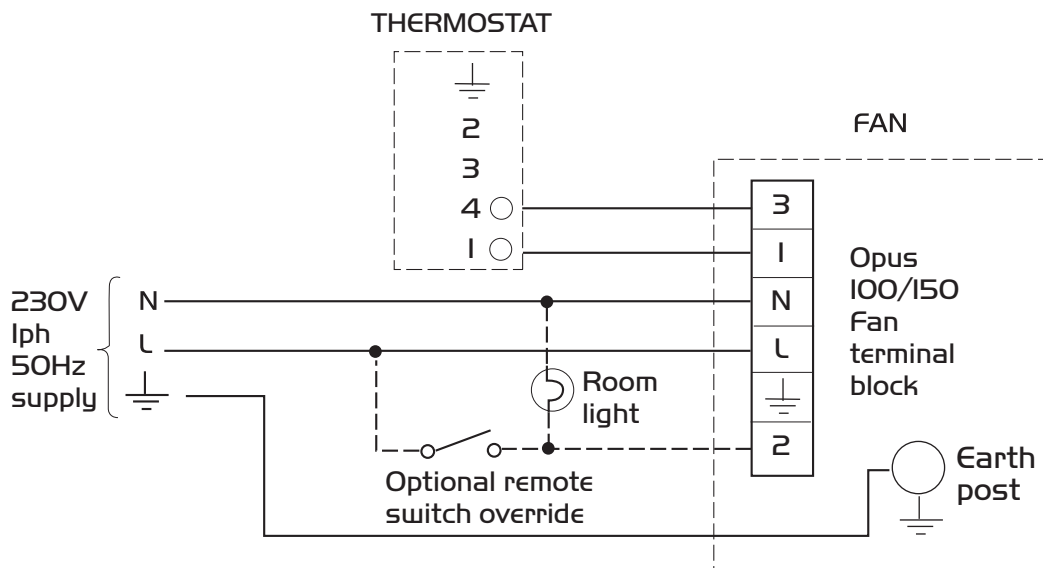
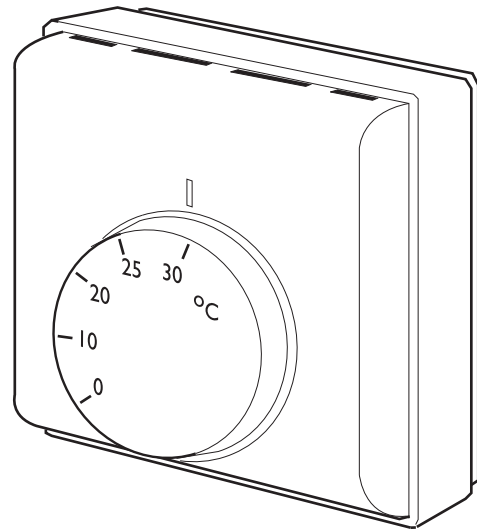
CE The EMC Directive
2014/30/EU
The Low Voltage
directive
2014/35/EU

Wiring details for use with Opus 100 / 150 fan units

When the OPUS+TSTAT Thermostat unit is used in conjunction with Nuair Opus 100 or 150 fan units we recommend that the electrical wiring is undertaken according to the wiring diagram below.

The electrical diagram illustrates the correct wiring procedure to allow operation of the fan when the room temperature exceeds the adjustable set point of the Thermostat.

The Thermostat is connected to the fan unit via low voltage (12V) wiring.



Technical or commercial considerations may, from time to time, make it necessary to alter the design, performance and dimensions of equipment and the right is reserved to make such changes without prior notice.