

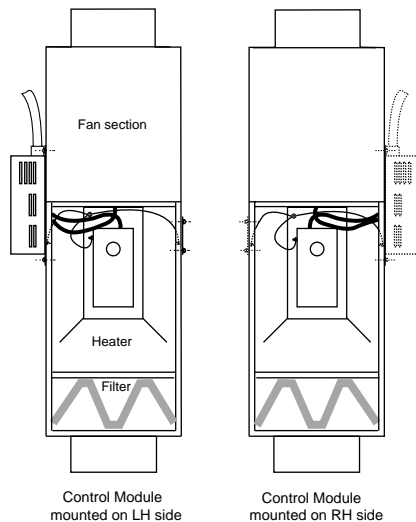
Relocating the control module

Leaflet 670819

MAY 1998

Moving the Control Module to the opposite side of the case.

Models SS1 to SS6, SSE1-CO2 to SSE6-CO2 and SS1-NH to SS6-NH only.



When installing a Smart Scurbo, the position of the module may be changed to the opposite side if required.

The SSE1 to SSE6 extract fans should be modified as detailed in the following paragraphs and shown in the drawing alongside.

Remove the heater section access cover (four nylon fasteners). Remove the four screws retaining the Control Module. Refit the four module fixing screws in the case side.

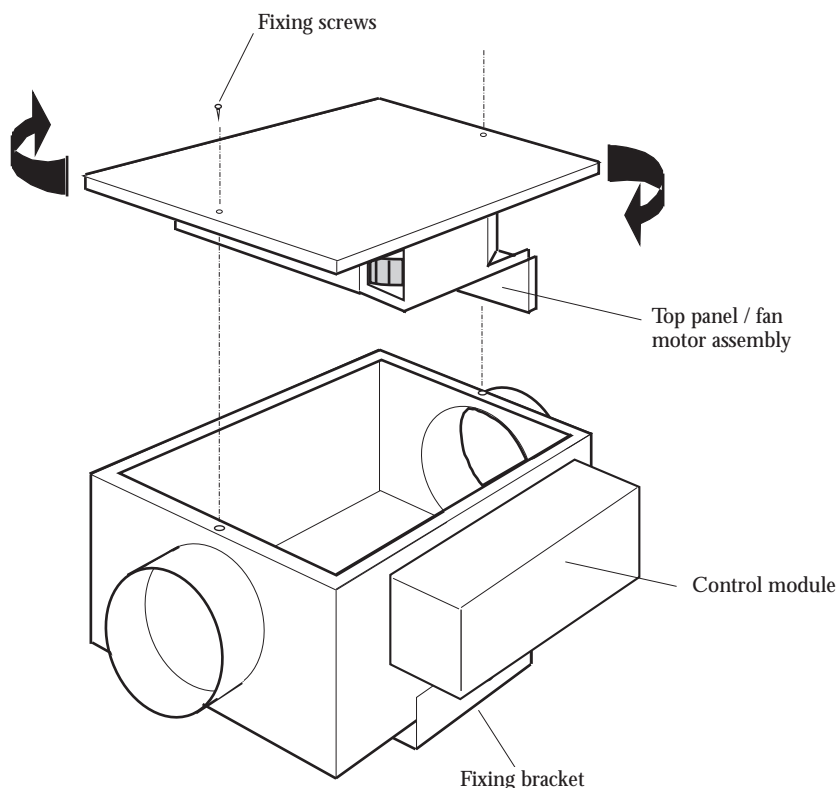
Unplug the wiring loom (two plugs) from the Control Module and draw the loom ends into the case.

Remove the small blanking plate from the alternative fixing position area (opposite side the case, two screws). Use this plate and fixings to cover the original aperture. Feed the wiring loom ends out through the preferred case side.

Offer the Control Module up to the side panel and reconnect the two loom plugs into the Control Module.

When locating the Module to the case ensure the foam inside the module covers the aperture. Fix the Control Module into position using the four screws in the case side. Refit the heater access panel.

Moving the Fan Module through 180 degrees. Models SSE1 to SSE6 units only



SSE1 -SSE6

On these units it is not possible to relocate the Control Module. However, the same result may be achieved by physically moving the unit through 180 degrees in the ducting.

The airflow direction will now, of course, need to be changed.

To reverse airflow, remove the two screws and lift off the top panel assembly. Turn the assembly through 180° and refit using the two screws.